

4

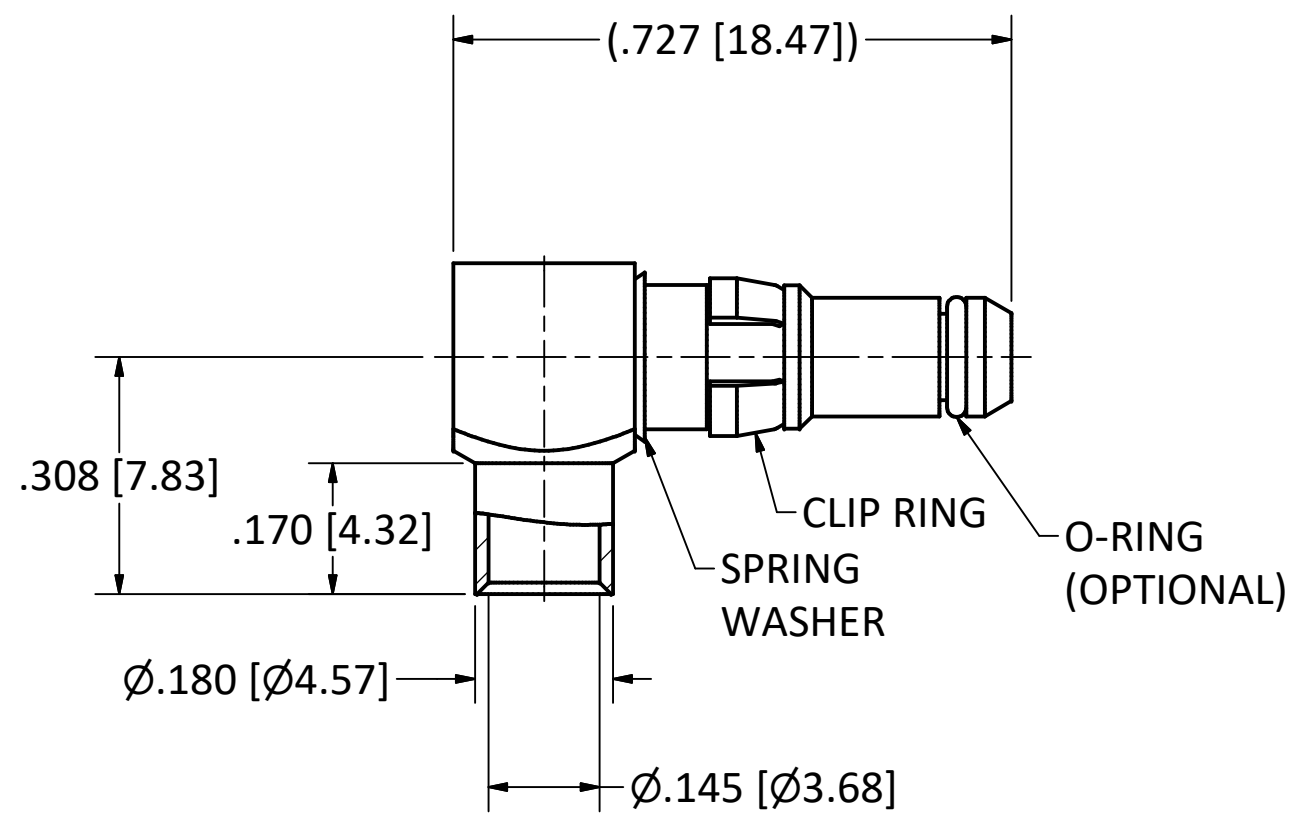
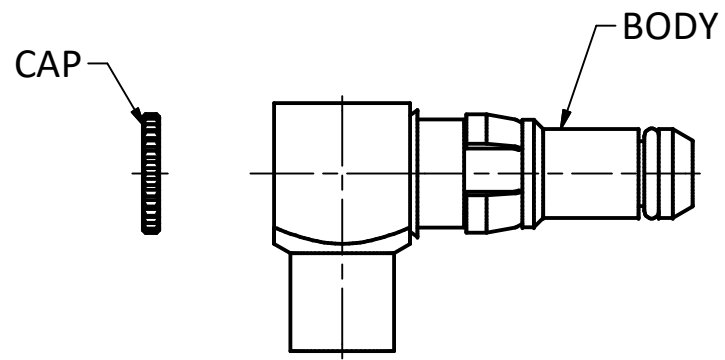
3

2

1

B

B



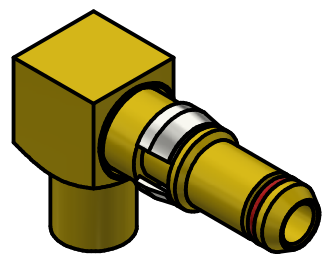
NOTES:

- 1. SPECIFICATIONS PER IDS-26.
 - 2. CAP SHIPPED LOOSE.
 - 3. ACCOMMODATES RG-402 (.141 SEMI-RIGID) OR EQUIVALENT FLEXIBLE CABLE.
- HOUSING:** D-SUBMINIATURE, SIZE 8 CAVITY.

PART NUMBER	O-RING OPTIONS
26-0520-1410	NONE
26-0521-1410	ENVIRONMENTAL
26-0523-1410	EMI SPRING
26-0525-1410	GROUNDING RING

A

A



SCALE 2.5 : 1

REV	DESCRIPTION	DATE	BY
K	ECN 10191	2/16/10	JEM
J	ECN 9371	08/01/08	HN
G	ECN 2685	12/07/94	HN

This drawing embodies a proprietary design of The Phoenix Company of Chicago, Inc., Naugatuck, CT 06770. All design, manufacturing, reproduction, use, sale, and other rights regarding the same are expressly reserved. The information in this drawing may be covered completely or in part by patents and/or patents pending.

WARNING - THIS DOCUMENT CONTAINS TECHNICAL DATA WHOSE EXPORT IS RESTRICTED BY THE ARMS EXPORT CONTROL ACT (TITLE 22, U.S.C., SEC 2751, ET. SEQ.) OR THE EXPORT ADMINISTRATION ACT OF 1979, AS AMENDED, TITLE 50, U.S.C., APP 2401 ET SEQ. VIOLATIONS OF THESE EXPORT LAWS ARE SUBJECT TO SEVERE CRIMINAL PENALTIES. DISSEMINATE IN ACCORDANCE WITH PROVISIONS OF DOD DIRECTIVE 5230.25.

Filename: ver2\Autodesk Inventor Data Base\Assemblies\26 Series\26-052X-1410-CU.idw

UNLESS OTHERWISE SPECIFIED, PHOENIX WORKMANSHIP STANDARDS APPLY DIMENSIONS IN INCHES OR (METRIC)	APPROVALS	DATE
DO NOT SCALE PRINTS TOLERANCES ARE: FRACTIONS: ± 1/64 DECIMALS: .XX ± .01 .XXX ± .003 ANGLES: ± 1/2°	DRAWN	11/20/2020
	CHECKED	11/20/2020
	QA	
	MFG	
	ENGINEER	3/7/1991
APPROVED	JEM	3/7/1991

The PHOENIX Company of Chicago, Inc.
 22 GREAT HILL RD., NAUGATUCK, CT 06770
 WWW.PHOENIXOFCHICAGO.COM
 PHONE: (800) 323-9562 FAX:(630) 206-1801

TITLE: **PkZ® RIGHT ANGLE PLUG, DIRECT SOLDER TERMINATION**

SIZE	FSCM	DWG NO	REV	PLATING OPT.
B	58167	26-052X-1410	K	A, B, C, D

SCALE 2.5 : 1 F.S.R. # SHEET 1 OF 1

4

3

2

1