

4

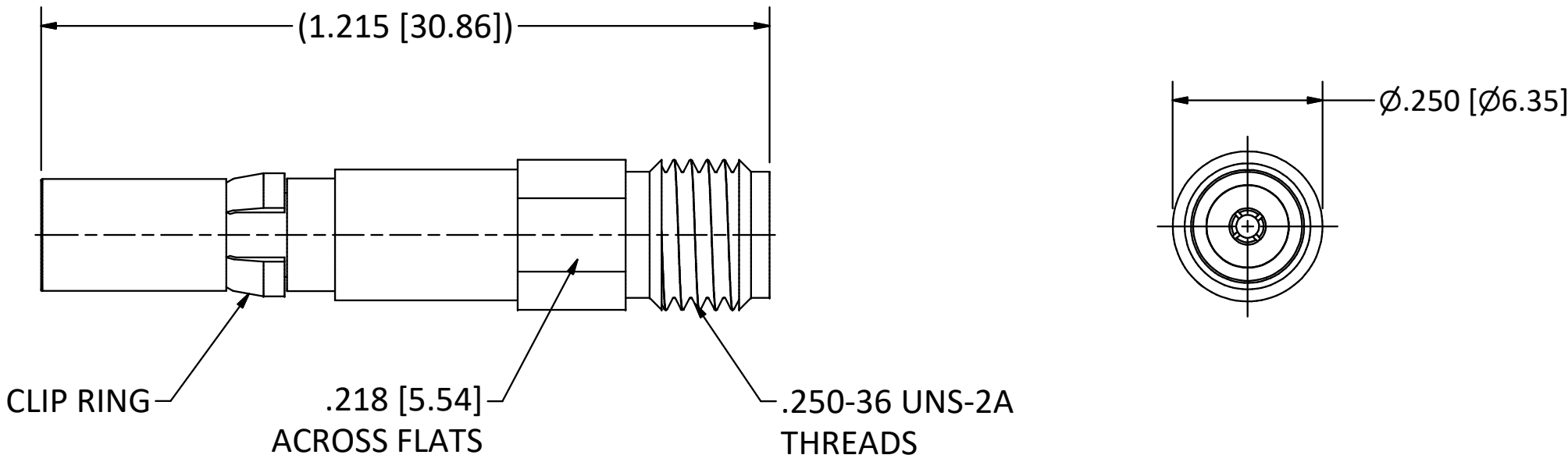
3

2

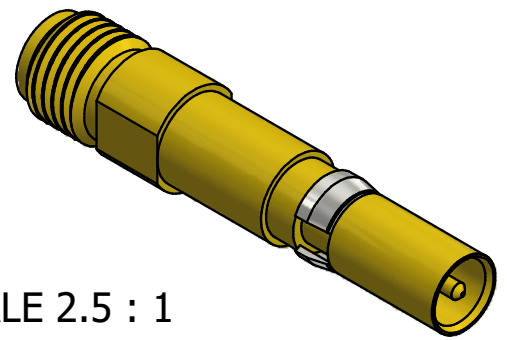
1

B

B



NOTES:
 1. SPECIFICATIONS PER IDS-26 AND IDS-05.
HOUSING: D-SUBMINIATURE, SIZE 8 CAVITY.



SCALE 2.5 : 1

4

3

2

1

A

A

<table border="1"> <tr><td>C</td><td>PER ECN 13083</td><td>9/7/18</td><td>JEM</td></tr> <tr><td>B</td><td>PER ECN 12551</td><td>7/5/17</td><td>RMB</td></tr> <tr><td>A</td><td>REL. PER ECN 12193</td><td>8/4/15</td><td>RMB</td></tr> <tr><td>REV.</td><td>DESCRIPTION</td><td>DATE</td><td>BY</td></tr> </table>				C	PER ECN 13083	9/7/18	JEM	B	PER ECN 12551	7/5/17	RMB	A	REL. PER ECN 12193	8/4/15	RMB	REV.	DESCRIPTION	DATE	BY	<p>This drawing embodies a proprietary design of The Phoenix Company of Chicago, Inc., Naugatuck, CT 06770. All design, manufacturing, reproduction, use, sale, and other rights regarding the same are expressly reserved. The information in this drawing may be covered completely or in part by patents and/or patents pending.</p>		<p>WARNING - THIS DOCUMENT CONTAINS TECHNICAL DATA WHOSE EXPORT IS RESTRICTED BY THE ARMS EXPORT CONTROL ACT (TITLE 22, U.S.C., SEC 2751, ET. SEQ.) OR THE EXPORT ADMINISTRATION ACT OF 1979, AS AMENDED, TITLE 50, U.S.C., APP 2401 ET SEQ. VIOLATIONS OF THESE EXPORT LAWS ARE SUBJECT TO SEVERE CRIMINAL PENALTIES. DISSEMINATE IN ACCORDANCE WITH PROVISIONS OF DOD DIRECTIVE 5230.25.</p>		<p>Filename: ver2\Autodesk Inventor Data Base\Adaptors\2605\2605-1100-00-CU.idw</p> <table border="1"> <tr><th>UNLESS OTHERWISE SPECIFIED, PHOENIX WORKMANSHIP STANDARDS APPLY DIMENSIONS IN INCHES OR (METRIC)</th><th>APPROVALS</th><th>DATE</th></tr> <tr><td rowspan="5">DO NOT SCALE PRINTS TOLERANCES ARE: FRACTIONS: ± 1/64 DECIMALS: .XX ± .01 .XXX ± .003 ANGLES: ± 1/2°</td><td>DRAWN</td><td>JEM 8/4/2015</td></tr> <tr><td>CHECKED</td><td>RMB 8/4/2015</td></tr> <tr><td>QA</td><td></td></tr> <tr><td>MFG</td><td></td></tr> <tr><td>ENGINEER</td><td>JEM 8/4/2015</td></tr> <tr><td>APPROVED</td><td>RMB 8/4/2015</td></tr> </table>		UNLESS OTHERWISE SPECIFIED, PHOENIX WORKMANSHIP STANDARDS APPLY DIMENSIONS IN INCHES OR (METRIC)	APPROVALS	DATE	DO NOT SCALE PRINTS TOLERANCES ARE: FRACTIONS: ± 1/64 DECIMALS: .XX ± .01 .XXX ± .003 ANGLES: ± 1/2°	DRAWN	JEM 8/4/2015	CHECKED	RMB 8/4/2015	QA		MFG		ENGINEER	JEM 8/4/2015	APPROVED	RMB 8/4/2015	<p>The PHOENIX Company of Chicago, Inc. 22 GREAT HILL RD., NAUGATUCK, CT 06770 WWW.PHOENIXOFCHICAGO.COM PHONE: (800) 323-9562 FAX:(630) 206-1801</p>			
C	PER ECN 13083	9/7/18	JEM																																										
B	PER ECN 12551	7/5/17	RMB																																										
A	REL. PER ECN 12193	8/4/15	RMB																																										
REV.	DESCRIPTION	DATE	BY																																										
UNLESS OTHERWISE SPECIFIED, PHOENIX WORKMANSHIP STANDARDS APPLY DIMENSIONS IN INCHES OR (METRIC)	APPROVALS	DATE																																											
DO NOT SCALE PRINTS TOLERANCES ARE: FRACTIONS: ± 1/64 DECIMALS: .XX ± .01 .XXX ± .003 ANGLES: ± 1/2°	DRAWN	JEM 8/4/2015																																											
	CHECKED	RMB 8/4/2015																																											
	QA																																												
	MFG																																												
	ENGINEER	JEM 8/4/2015																																											
APPROVED	RMB 8/4/2015																																												
<p>TITLE ADAPTER, PkZ® RECEPTACLE TO 3.5mm RECEPTACLE</p>																																													
<table border="1"> <tr><td>SIZE</td><td>FSCM</td><td>DWG NO</td><td>REV</td><td>PLATING OPT.</td></tr> <tr><td>B</td><td>58167</td><td>2605-1100-00</td><td>C</td><td>G</td></tr> </table>		SIZE	FSCM	DWG NO	REV	PLATING OPT.	B	58167	2605-1100-00	C	G	<table border="1"> <tr><td>SCALE</td><td>4 : 1</td><td>F.S.R. #</td><td>SHEET 1 OF 1</td></tr> </table>		SCALE	4 : 1	F.S.R. #	SHEET 1 OF 1																												
SIZE	FSCM	DWG NO	REV	PLATING OPT.																																									
B	58167	2605-1100-00	C	G																																									
SCALE	4 : 1	F.S.R. #	SHEET 1 OF 1																																										