

4

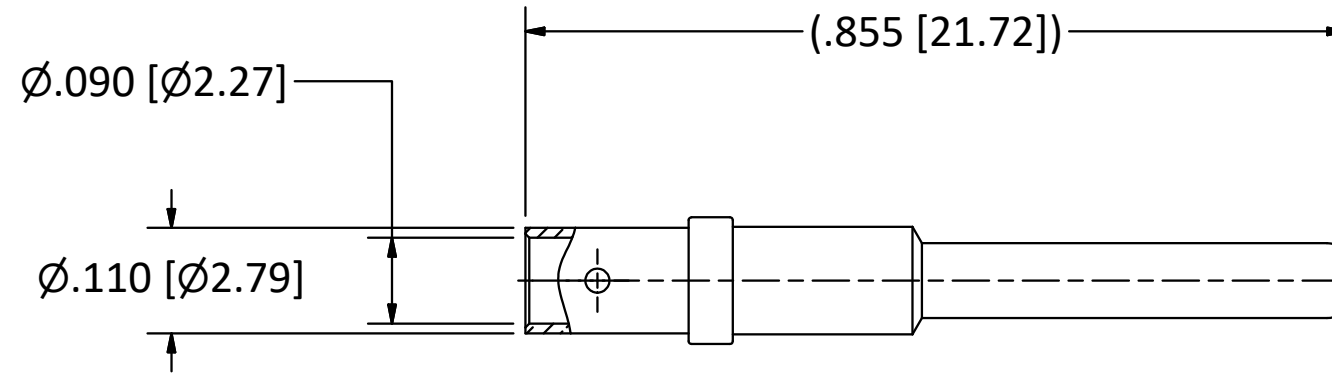
3

2

1

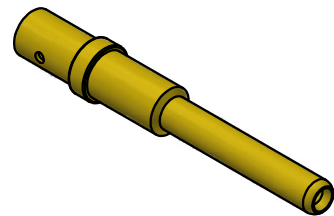
B

B



NOTES:

- 1. SPECIFICATIONS PER IDS-268.
- 2. ACCOMMODATES RG-405 (.086 SEMI-RIGID) OR EQUIVALENT FLEXIBLE CABLE.
- 3. FREQUENCY: DC TO 50 GHz.
- 4. HOUSING: ARINC 600 RECEPTACLE CONNECTOR SHELL CONTAINING SIZE 16 CAVITY (REF: MIL-DTL-83527B).
- 5. **DOES NOT MATE WITH OTHER INDUSTRY-STANDARD SIZE 16 CONTACTS.**



SCALE 2.5 : 1

4

3

2

1

A

A

This drawing embodies a proprietary design of The Phoenix Company of Chicago, Inc., Naugatuck, CT 06770. All design, manufacturing, reproduction, use, sale, and other rights regarding the same are expressly reserved. The information in this drawing may be covered completely or in part by patents and/or patents pending.				WARNING - THIS DOCUMENT CONTAINS TECHNICAL DATA WHOSE EXPORT IS RESTRICTED BY THE ARMS EXPORT CONTROL ACT (TITLE 22, U.S.C., SEC 2751, ET. SEQ.) OR THE EXPORT ADMINISTRATION ACT OF 1979, AS AMENDED, TITLE 50, U.S.C., APP 2401 ET SEQ. VIOLATIONS OF THESE EXPORT LAWS ARE SUBJECT TO SEVERE CRIMINAL PENALTIES. DISSEMINATE IN ACCORDANCE WITH PROVISIONS OF DOD DIRECTIVE 5230.25.			UNLESS OTHERWISE SPECIFIED, PHOENIX WORKMANSHIP STANDARDS APPLY DIMENSIONS IN INCHES OR (METRIC)			APPROVALS DRAWN SPS CHECKED JEM QA MFG ENGINEER SPS APPROVED JEM		DATE 5/18/2018 5/18/2018		The PHOENIX Company of Chicago, Inc. 22 GREAT HILL RD., NAUGATUCK, CT 06770 WWW.PHOENIXOFCHICAGO.COM PHONE: (800) 323-9562 FAX:(630) 206-1801			
							DO NOT SCALE PRINTS TOLERANCES ARE: FRACTIONS: $\pm 1/64$ DECIMALS: $.XX \pm .01$ $.XXX \pm .003$ ANGLES: $\pm 1/2^\circ$			TITLE PKZ® PLUG, DIRECT SOLDER TERMINATION		SIZE B	FSCM 58167	DWG NO 268-0021-0860	REV E	PLATING OPT. A, C	SCALE 5 : 1 F.S.R. # SHEET 1 OF 1
E PER ECN 14401 5/22/2024 SJG D PER ECN 13692 2/13/2020 JEM C PER ECN 13148 10/12/2018 JEM B PER ECN 13023 6/29/2018 JEM A PER ECN 12941 5/18/2018 BH	REV. DESCRIPTION DATE APPROVAL																