

4

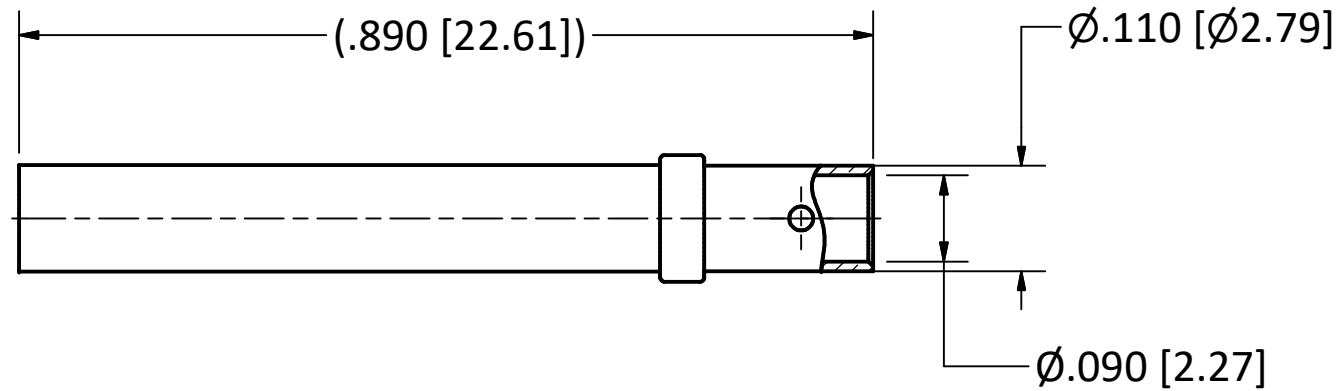
3

2

1

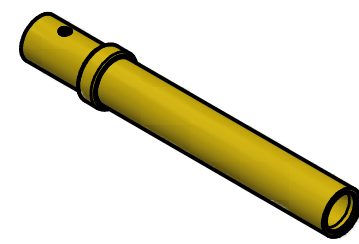
B

B



NOTES:

- 1. SPECIFICATIONS PER IDS-268L.
- 2. ACCOMMODATES RG-405 (.086 SEMI-RIGID) OR EQUIVALENT FLEXIBLE CABLE.
- 3. FREQUENCY: DC TO 18 GHz.
- 4. HOUSING: ARINC 600 PLUG CONNECTOR SHELL CONTAINING SIZE 16 CAVITY (REF: MIL-DTL-83527B).
- 5. DOES NOT MATE WITH OTHER INDUSTRY-STANDARD SIZE 16 CONTACTS.



SCALE 2.5 : 1

<table border="1"> <tr> <td>A</td> <td>PER ECN 14385</td> <td>4/9/2024</td> <td>SPS</td> </tr> <tr> <td>REV</td> <td>DESCRIPTION</td> <td>DATE</td> <td>BY</td> </tr> </table>				A	PER ECN 14385	4/9/2024	SPS	REV	DESCRIPTION	DATE	BY	<p>THE INFORMATION AND DESIGNS DISCLOSED IN THIS DOCUMENT ARE CONFIDENTIAL AND/OR PROPRIETARY TO THE PHOENIX COMPANY OF CHICAGO INC. AND MAY NOT BE USED FOR MANUFACTURING, REPRODUCED, DISCLOSED TO OTHERS OR FOR ANY OTHER PURPOSE WITHOUT THE EXPRESS WRITTEN CONSENT OF THE PHOENIX COMPANY OF CHICAGO INC.</p>	<p>WARNING - THIS DOCUMENT CONTAINS TECHNICAL DATA WHOSE EXPORT IS RESTRICTED BY THE ARMS EXPORT CONTROL ACT (TITLE 22, U.S.C., SEC 2751, ET. SEQ.) OR THE EXPORT ADMINISTRATION ACT OF 1979, AS AMENDED, TITLE 50, U.S.C., APP 2401 ET SEQ. VIOLATIONS OF THESE EXPORT LAWS ARE SUBJECT TO SEVERE CRIMINAL PENALTIES. DISSEMINATE IN ACCORDANCE WITH PROVISIONS OF DOD DIRECTIVE 5230.25.</p>	<p>UNLESS OTHERWISE SPECIFIED, PHOENIX WORKMANSHIP STANDARDS APPLY DIMENSIONS IN INCHES OR (METRIC)</p> <p>DO NOT SCALE PRINTS</p> <p>TOLERANCES ARE: FRACTIONS: ± 1/64 DECIMALS: .XX ± .01 .XXX ± .003 ANGLES: ± 1/2'</p>		<table border="1"> <tr> <th>APPROVALS</th> <th>DATE</th> </tr> <tr> <td>DRAWN RA</td> <td>4/10/2024</td> </tr> <tr> <td>CHECKED SPS</td> <td>4/10/2024</td> </tr> <tr> <td>QA</td> <td></td> </tr> <tr> <td>MFG</td> <td></td> </tr> <tr> <td>ENGINEER SPS</td> <td>4/10/2024</td> </tr> <tr> <td>APPROVED SPS</td> <td>4/10/2024</td> </tr> </table>		APPROVALS	DATE	DRAWN RA	4/10/2024	CHECKED SPS	4/10/2024	QA		MFG		ENGINEER SPS	4/10/2024	APPROVED SPS	4/10/2024	<p>The PHOENIX Company of Chicago, Inc.</p> <p>22 GREAT HILL RD., NAUGATUCK, CT 06770 WWW.PHOENIXOFCHICAGO.COM</p> <p>PHONE: (800) 323-9562 FAX:(630) 206-1801</p>	
				A	PER ECN 14385	4/9/2024	SPS																										
REV	DESCRIPTION	DATE	BY																														
APPROVALS	DATE																																
DRAWN RA	4/10/2024																																
CHECKED SPS	4/10/2024																																
QA																																	
MFG																																	
ENGINEER SPS	4/10/2024																																
APPROVED SPS	4/10/2024																																
<p>TITLE PkZ® RECEPTACLE, DIRECT SOLDER TERMINATION</p>						<p>SIZE B</p>	<p>FSCM 58167</p>	<p>DWG NO 268L-1021-0860</p>	<p>REV A</p>	<p>PLATING OPT. A, C</p>																							
						<p>SCALE 5 : 1</p>	<p>F.S.R. #</p>		<p>SHEET 1 OF 1</p>																								

4

3

2

1

A

A