

4

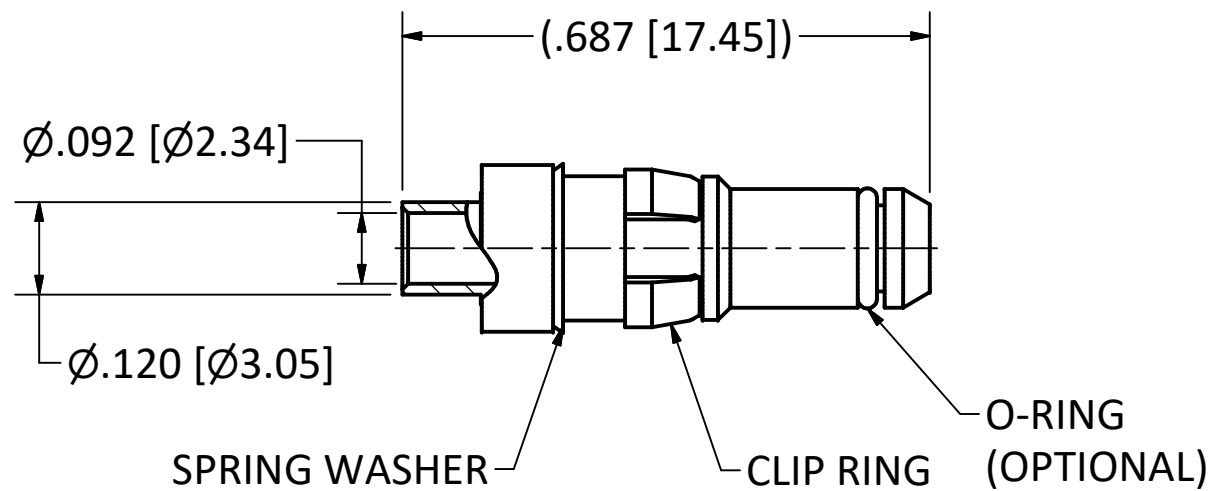
3

2

1

B

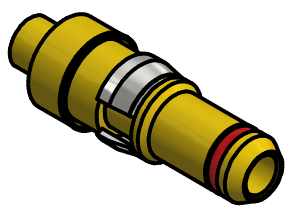
B



NOTES:

- 1. SPECIFICATIONS PER IDS-26.
 - 2. ACCOMMODATES RG-405 (.086 SEMI-RIGID) OR EQUIVALENT FLEXIBLE CABLE.
- HOUSING:** DIN 41612, SIZE 8 CAVITY.

PART NUMBER	O-RING OPTIONS
26D-0020-0860	NONE
26D-0021-0860	ENVIRONMENTAL
26D-0023-0860	EMI SPRING
26D-0025-0860	GROUNDING RING



SCALE 2.5 : 1

REV.	DESCRIPTION	DATE	BY
G	ECN 13653	1/27/20	JEM
F	ECN 10538	8/18/10	JEM

This drawing embodies a proprietary design of The Phoenix Company of Chicago, Inc., Naugatuck, CT 06770. All design, manufacturing, reproduction, use, sale, and other rights regarding the same are expressly reserved. The information in this drawing may be covered completely or in part by patents and/or patents pending.

WARNING - THIS DOCUMENT CONTAINS TECHNICAL DATA WHOSE EXPORT IS RESTRICTED BY THE ARMS EXPORT CONTROL ACT (TITLE 22, U.S.C., SEC 2751, ET. SEQ.) OR THE EXPORT ADMINISTRATION ACT OF 1979, AS AMENDED, TITLE 50, U.S.C., APP 2401 ET SEQ. VIOLATIONS OF THESE EXPORT LAWS ARE SUBJECT TO SEVERE CRIMINAL PENALTIES. DISSEMINATE IN ACCORDANCE WITH PROVISIONS OF DOD DIRECTIVE 5230.25.

Filename: ver2\Autodesk Inventor Data Base\Assemblies\26 Series\26D-002X-0860-CU.idw		
UNLESS OTHERWISE SPECIFIED, PHOENIX WORKMANSHIP STANDARDS APPLY DIMENSIONS IN INCHES OR (METRIC) DO NOT SCALE PRINTS TOLERANCES ARE: FRACTIONS: $\pm 1/64$ DECIMALS: .XX $\pm .01$.XXX $\pm .003$ ANGLES: $\pm 1/2^\circ$	APPROVALS	DATE
	DRAWN MS	3/19/1996
	CHECKED PRP	3/19/1996
	QA	
	MFG	
ENGINEER MS	3/16/1996	
APPROVED PRP	3/16/1996	

The PHOENIX Company of Chicago, Inc.
 22 GREAT HILL RD., NAUGATUCK, CT 06770
 WWW.PHOENIXOFCHICAGO.COM
 PHONE: (800) 323-9562 FAX:(630) 206-1801

TITLE: **PKZ® PLUG, DIRECT SOLDER TERMINATION**

SIZE B	FSCM 58167	DWG NO 26D-002X-0860	REV G	PLATING OPT. A, B, C, D
SCALE 4 : 1		F.S.R. #	SHEET 1 OF 1	

4

3

2

1

A

A