

4

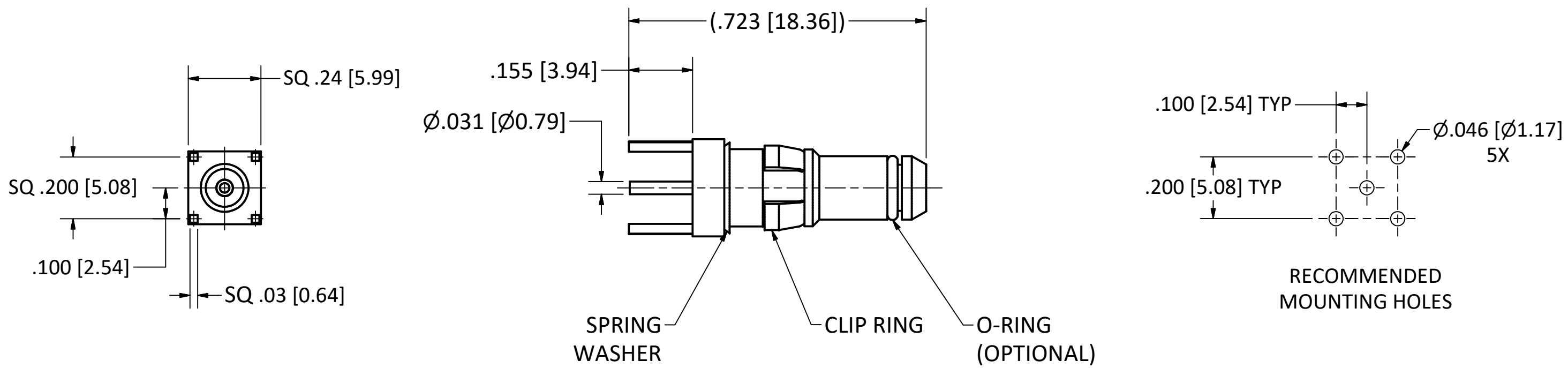
3

2

1

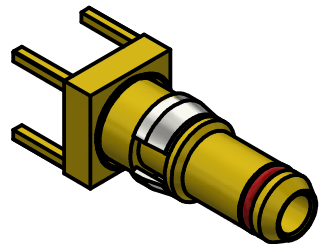
B

B



NOTES:  
 1. SPECIFICATIONS PER IDS-26.  
**HOUSING:** DIN 41612, SIZE 8 CAVITY.

PART NUMBER	O-RING OPTIONS
26D-0450-04	NONE
26D-0451-04	ENVIRONMENTAL
26D-0453-04	EMI SPRING
26D-0455-04	GROUNDING RING



SCALE 2.5 : 1

REV	DESCRIPTION	DATE	BY
D	ECN 6262	12/12/10	JEM
C	ECN 4840	12/21/98	HN
B	ECN 4232	12/16/97	HN

This drawing embodies a proprietary design of The Phoenix Company of Chicago, Inc., Naugatuck, CT 06770. All design, manufacturing, reproduction, use, sale, and other rights regarding the same are expressly reserved. The information in this drawing may be covered completely or in part by patents and/or patents pending.

WARNING - THIS DOCUMENT CONTAINS TECHNICAL DATA WHOSE EXPORT IS RESTRICTED BY THE ARMS EXPORT CONTROL ACT (TITLE 22, U.S.C., SEC 2751, ET. SEQ.) OR THE EXPORT ADMINISTRATION ACT OF 1979, AS AMENDED, TITLE 50, U.S.C., APP 2401 ET SEQ. VIOLATIONS OF THESE EXPORT LAWS ARE SUBJECT TO SEVERE CRIMINAL PENALTIES. DISSEMINATE IN ACCORDANCE WITH PROVISIONS OF DOD DIRECTIVE 5230.25.

Filename: ver2\Autodesk Inventor Data Base\Assemblies\26 Series\26D-045X-04-CU.idw

UNLESS OTHERWISE SPECIFIED, PHOENIX WORKMANSHIP STANDARDS APPLY DIMENSIONS IN INCHES OR (METRIC)	APPROVALS	DATE
DO NOT SCALE PRINTS TOLERANCES ARE: FRACTIONS: ± 1/64 DECIMALS: .XX ± .01 .XXX ± .003 ANGLES: ± 1/2°	DRAWN	12/16/1997
	CHECKED	12/16/1997
	QA	
	MFG	
	ENGINEER	12/16/1997
	APPROVED	12/16/1997

**The PHOENIX Company of Chicago, Inc.**  
 22 GREAT HILL RD., NAUGATUCK, CT 06770  
 WWW.PHOENIXOFCHICAGO.COM  
 PHONE: (800) 323-9562 FAX:(630) 206-1801

TITLE  
**PKZ® STRAIGHT PLUG, PRINTED CIRCUIT MOUNT**

SIZE <b>B</b>	FSCM 58167	DWG NO <b>26D-045X-04</b>	REV D	PLATING OPT. A, B, C, D
SCALE 2.5 : 1		F.S.R. #	SHEET 1 OF 1	

4

3

2

1

A

A