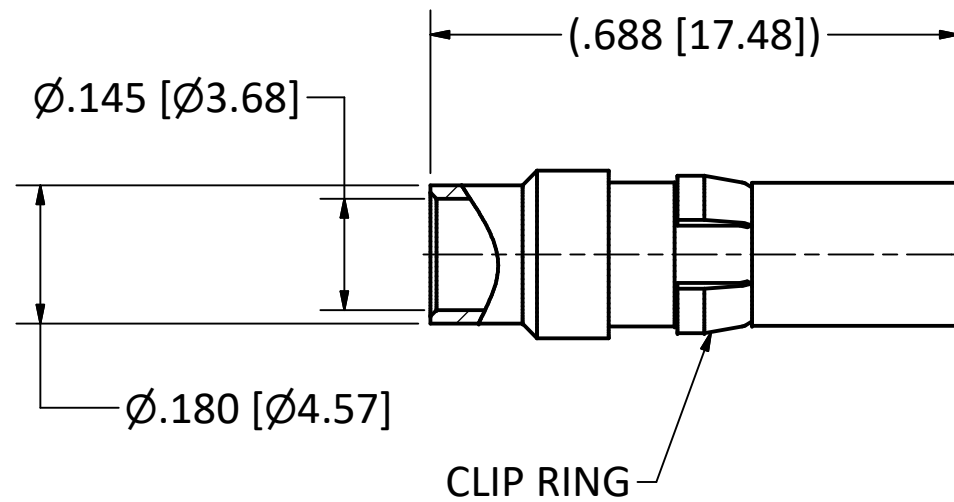
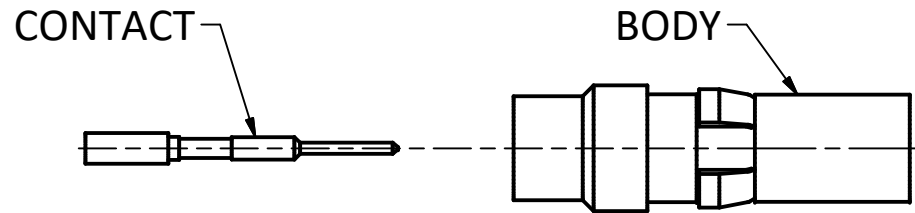


4

3

2

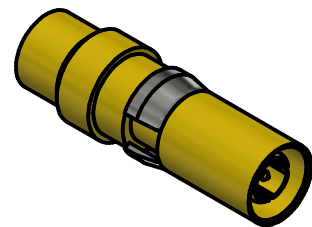
1



NOTES:

- 1. SPECIFICATIONS PER IDS-28.
- 2. CENTER CONTACT SHIPPED LOOSE.
- 3. ACCOMMODATES RG-402 (.141 SEMI-RIGID) OR EQUIVALENT FLEXIBLE CABLE.

HOUSING: DIN 41612, SIZE 8 CAVITY.



SCALE 2.5 : 1

REV.	DESCRIPTION	DATE	BY
H	ECN 13788	6/17/20	JEM
G	ECN 10469	07/20/10	JEM
F	ECN 8595	05/25/07	HN
E	ECN 8713	10/18/06	JEM
D	ECN 8469	04/17/06	JEM
C	ECN 7670	10/18/04	JEM

This drawing embodies a proprietary design of The Phoenix Company of Chicago, Inc., Naugatuck, CT 06770. All design, manufacturing, reproduction, use, sale, and other rights regarding the same are expressly reserved. The information in this drawing may be covered completely or in part by patents and/or patents pending.

WARNING - THIS DOCUMENT CONTAINS TECHNICAL DATA WHOSE EXPORT IS RESTRICTED BY THE ARMS EXPORT CONTROL ACT (TITLE 22, U.S.C., SEC 2751, ET. SEQ.) OR THE EXPORT ADMINISTRATION ACT OF 1979, AS AMENDED, TITLE 50, U.S.C., APP 2401 ET SEQ. VIOLATIONS OF THESE EXPORT LAWS ARE SUBJECT TO SEVERE CRIMINAL PENALTIES. DISSEMINATE IN ACCORDANCE WITH PROVISIONS OF DOD DIRECTIVE 5230.25.

Filename: ver2\Autodesk Inventor Data Base\Assemblies\28 Series\28-0020-1410-CU.idw

UNLESS OTHERWISE SPECIFIED, PHOENIX WORKMANSHIP STANDARDS APPLY DIMENSIONS IN INCHES OR (METRIC)

DO NOT SCALE PRINTS
TOLERANCES ARE:
FRACTIONS: $\pm 1/64$
DECIMALS: .XX $\pm .01$
.XXX $\pm .003$
ANGLES: $\pm 1/2^\circ$

$\sqrt{\text{32}}$

APPROVALS	DATE
DRAWN JEM	7/1/1996
CHECKED JEM	7/1/1996
QA	
MFG	
ENGINEER JEM	7/1/1996
APPROVED JEM	7/1/1996

The **PHOENIX** Company of Chicago, Inc.

22 GREAT HILL RD., NAUGATUCK, CT 06770
WWW.PHOENIXOFCHICAGO.COM
PHONE: (800) 323-9562 FAX:(630) 206-1801

TITLE
STRAIGHT PLUG, DIRECT SOLDER TERMINATION

SIZE	FSCM	DWG NO	REV	PLATING OPT.
B	58167	28-0020-1410	H	A, B, C, D
SCALE	4 : 1	F.S.R. #	SHEET	1 OF 1