

4

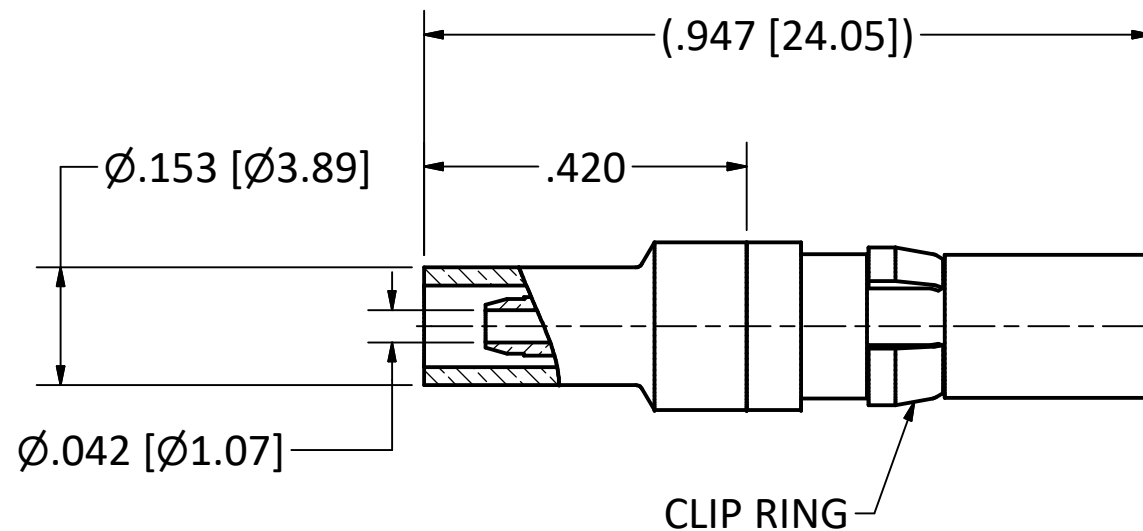
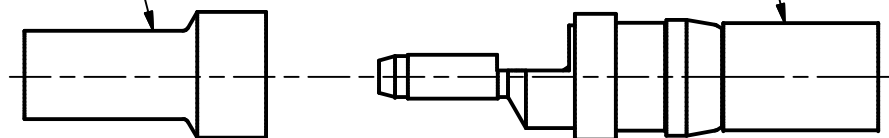
3

2

1

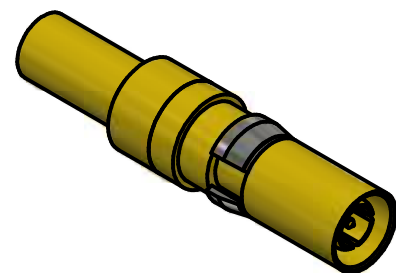
FERRULE

BODY



NOTES:

- 1. SPECIFICATIONS PER IDS-28.
 - 2. FERRULE SHIPPED LOOSE.
 - 3. ACCOMMODATES RG-178 DOUBLE SHIELD CABLE.
 - 4. CRIMP USING .128 HEX DIE (M22520/5-03).
- HOUSING:** DIN 41612, SIZE 8 CAVITY.



SCALE 2.5 : 1

C	ECN 13793	9/8/2021	JEM
B	ECN 9130	11/06/2007	JEM
A	ECN 4197	11/26/1997	HN
REV.	DESCRIPTION	DATE	BY

This drawing embodies a proprietary design of The Phoenix Company of Chicago, Inc., Naugatuck, CT 06770. All design, manufacturing, reproduction, use, sale, and other rights regarding the same are expressly reserved. The information in this drawing may be covered completely or in part by patents and/or patents pending.

WARNING - THIS DOCUMENT CONTAINS TECHNICAL DATA WHOSE EXPORT IS RESTRICTED BY THE ARMS EXPORT CONTROL ACT (TITLE 22, U.S.C., SEC 2751, ET. SEQ.) OR THE EXPORT ADMINISTRATION ACT OF 1979, AS AMENDED, TITLE 50, U.S.C., APP 2401 ET SEQ. VIOLATIONS OF THESE EXPORT LAWS ARE SUBJECT TO SEVERE CRIMINAL PENALTIES. DISSEMINATE IN ACCORDANCE WITH PROVISIONS OF DOD DIRECTIVE 5230.25.

Filename: ver2\Autodesk Inventor Data Base\Assemblies\28 Series\28-0080-2400-CU.idw

UNLESS OTHERWISE SPECIFIED, PHOENIX WORKMANSHIP STANDARDS APPLY DIMENSIONS IN INCHES OR (METRIC)

DO NOT SCALE PRINTS
TOLERANCES ARE:
FRACTIONS: ± 1/64
DECIMALS: .XX ± .01
.XXX ± .003
ANGLES: ± 1/2°

32√

	APPROVALS	DATE
DRAWN	YS	6/9/1997
CHECKED	HN	6/9/1997
QA	VI	9/8/2021
MFG	VL	9/8/2021
ENGINEER	EY	6/9/1997
APPROVED	HN	6/9/1997

The **PHOENIX** Company of Chicago, Inc.

22 GREAT HILL RD., NAUGATUCK, CT 06770
WWW.PHOENIXOFCHICAGO.COM
PHONE: (800) 323-9562 FAX:(630) 206-1801

TITLE STRAIGHT PLUG, SOLDER/CRIMP TERMINATION					
SIZE	FSCM	DWG NO	REV	PLATING OPT.	
B	58167	28-0080-2400	C	A, B	
SCALE	4 : 1	F.S.R. #	SHEET 1 OF 1		

4

3

2

1