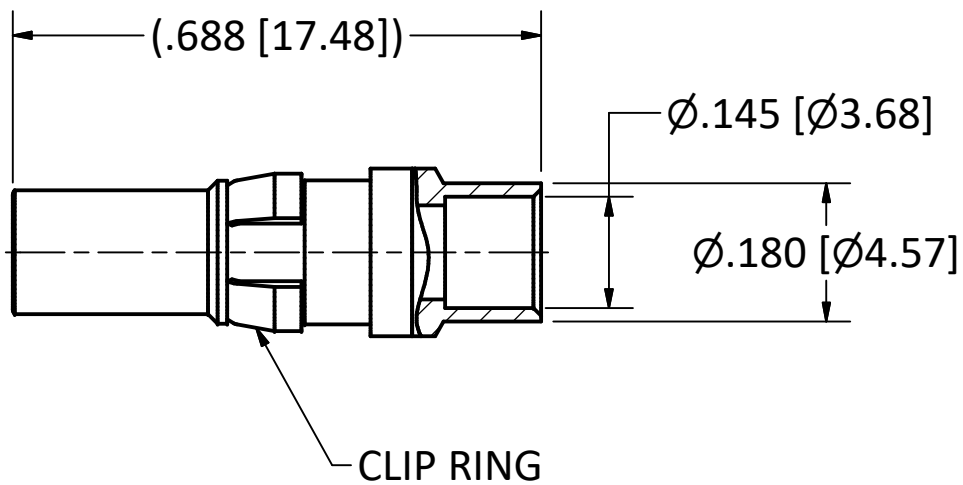
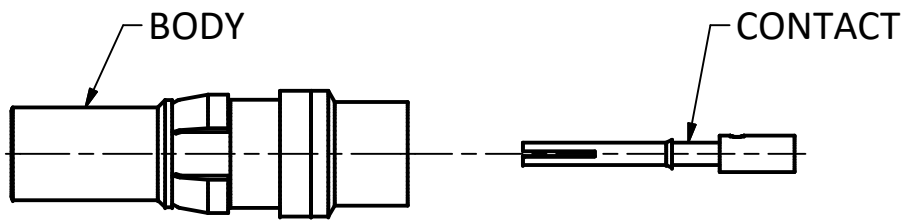


4

3

2

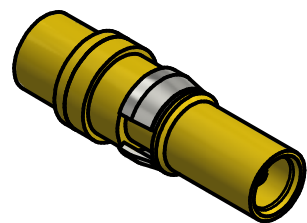
1



NOTES:

- 1. SPECIFICATIONS PER IDS-28.
- 2. CONTACT SHIPPED LOOSE.
- 3. ACCOMMODATES RG-402 (.141 SEMI-RIGID) OR EQUIVALENT FLEXIBLE CABLE.

HOUSING: DIN 41612, SIZE 8 CAVITY.



SCALE 2.5 : 1

C	ECN 13788	6/17/20	JEM
B	ECN 7715	12/8/04	JEM
A	ECN 3489	7/16/96	HN
REV.	DESCRIPTION	DATE	BY

This drawing embodies a proprietary design of The Phoenix Company of Chicago, Inc., Naugatuck, CT 06770. All design, manufacturing, reproduction, use, sale, and other rights regarding the same are expressly reserved. The information in this drawing may be covered completely or in part by patents and/or patents pending.

WARNING - THIS DOCUMENT CONTAINS TECHNICAL DATA WHOSE EXPORT IS RESTRICTED BY THE ARMS EXPORT CONTROL ACT (TITLE 22, U.S.C., SEC 2751, ET. SEQ.) OR THE EXPORT ADMINISTRATION ACT OF 1979, AS AMENDED, TITLE 50, U.S.C., APP 2401 ET SEQ. VIOLATIONS OF THESE EXPORT LAWS ARE SUBJECT TO SEVERE CRIMINAL PENALTIES. DISSEMINATE IN ACCORDANCE WITH PROVISIONS OF DOD DIRECTIVE 5230.25.

Filename: ver2\Autodesk Inventor Data Base\Assemblies\28 Series\28-1020-1410-CU.idw		
UNLESS OTHERWISE SPECIFIED, PHOENIX WORKMANSHIP STANDARDS APPLY DIMENSIONS IN INCHES OR (METRIC) DO NOT SCALE PRINTS TOLERANCES ARE: FRACTIONS: $\pm 1/64$ DECIMALS: .XX $\pm .01$.XXX $\pm .003$ ANGLES: $\pm 1/2^\circ$	APPROVALS	DATE
	DRAWN MY	7/16/1996
	CHECKED JEM	7/16/1996
	QA	
	MFG	
	ENGINEER JSV	7/16/1996
APPROVED JEM	7/16/1996	

The PHOENIX Company of Chicago, Inc.					
22 GREAT HILL RD., NAUGATUCK, CT 06770 WWW.PHOENIXOFCHICAGO.COM PHONE: (800) 323-9562 FAX:(630) 206-1801					
TITLE STRAIGHT RECEPTACLE, DIRECT SOLDER TERMINATION					
SIZE B	FSCM 58167	DWG NO 28-1020-1410	REV C	PLATING OPT. A	
SCALE 2.5 : 1		F.S.R. #	SHEET 1 OF 1		