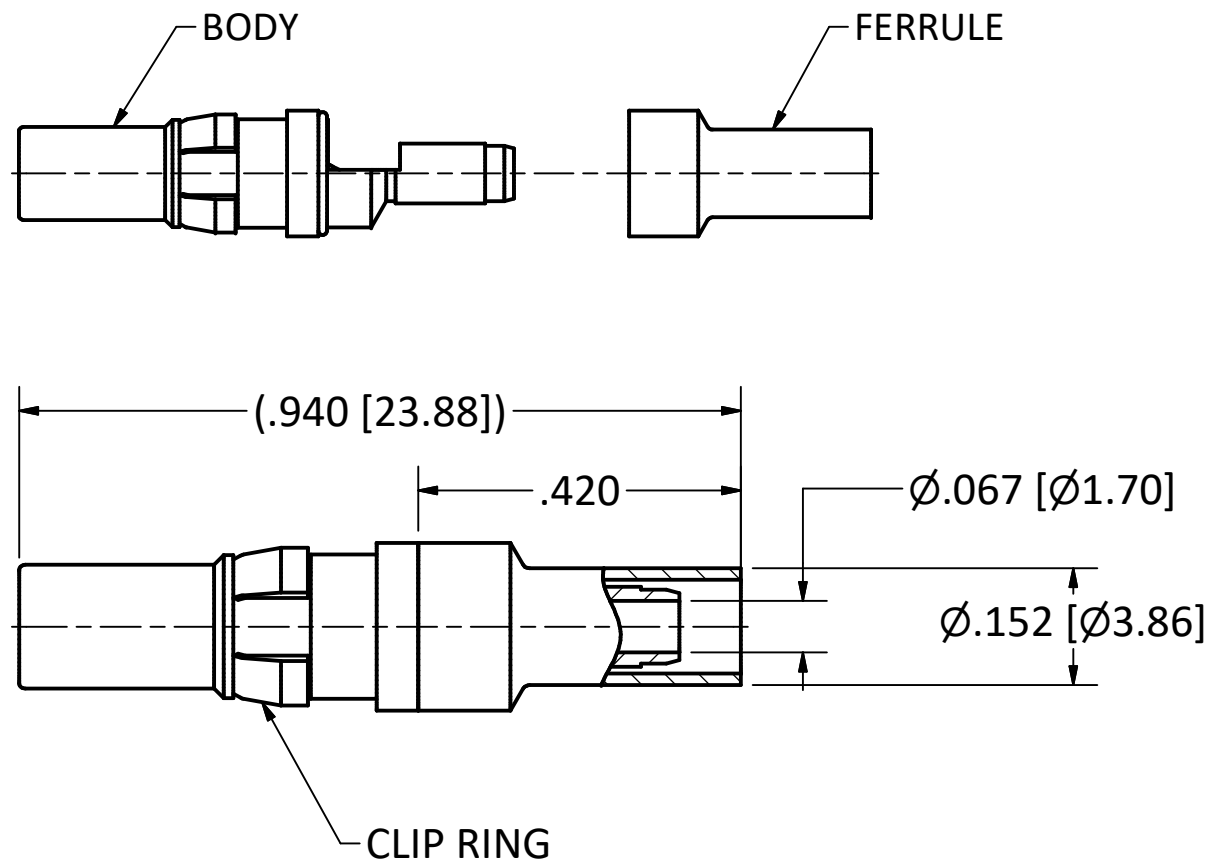


4

3

2

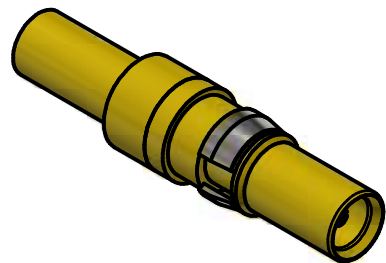
1



NOTES:

- 1. SPECIFICATIONS PER IDS-28.
- 2. FERRULE SHIPPED LOOSE.
- 3. ACCOMMODATES RG-174, RG-179, RG-187, RG-188, OR RG-316 CABLE.
- 4. CRIMP USING .128 HEX DIE (M22520/5-03).

HOUSING: DIN 41612, SIZE 8 CAVITY.



SCALE 2.5 : 1

E	ECN 13794	6/23/20	JEM
C	ECN 2701	12/19/94	HN
B	ECN 2643	10/25/94	HN
A	RELEASE	9/19/94	HN
REV.	DESCRIPTION	DATE	BY

This drawing embodies a proprietary design of The Phoenix Company of Chicago, Inc., Naugatuck, CT 06770. All design, manufacturing, reproduction, use, sale, and other rights regarding the same are expressly reserved. The information in this drawing may be covered completely or in part by patents and/or patents pending.

WARNING - THIS DOCUMENT CONTAINS TECHNICAL DATA WHOSE EXPORT IS RESTRICTED BY THE ARMS EXPORT CONTROL ACT (TITLE 22, U.S.C., SEC 2751, ET. SEQ.) OR THE EXPORT ADMINISTRATION ACT OF 1979, AS AMENDED, TITLE 50, U.S.C., APP 2401 ET SEQ. VIOLATIONS OF THESE EXPORT LAWS ARE SUBJECT TO SEVERE CRIMINAL PENALTIES. DISSEMINATE IN ACCORDANCE WITH PROVISIONS OF DOD DIRECTIVE 5230.25.

Filename: ver2\Autodesk Inventor Data Base\Assemblies\28 Series\28-1080-0670-CU.idw

UNLESS OTHERWISE SPECIFIED, PHOENIX WORKMANSHIP STANDARDS APPLY DIMENSIONS IN INCHES OR (METRIC)

DO NOT SCALE PRINTS
TOLERANCES ARE:
FRACTIONS: ± 1/64
DECIMALS: .XX ± .01
.XXX ± .003
ANGLES: ± 1/2°

32√

	APPROVALS	DATE
DRAWN	JEM	9/19/1994
CHECKED	HN	9/19/1994
QA		
MFG		
ENGINEER	JEM	9/19/1994
APPROVED	HN	9/19/1994

The PHOENIX Company of Chicago, Inc.

22 GREAT HILL RD., NAUGATUCK, CT 06770
WWW.PHOENIXOFCHICAGO.COM
PHONE: (800) 323-9562 FAX:(630) 206-1801

TITLE
**STRAIGHT RECEPTACLE,
SOLDER/CRIMP TERMINATION**

SIZE	FSCM	DWG NO	REV	PLATING OPT.
B	58167	28-1080-0670	E	A, B
SCALE	2.5 : 1	F.S.R. #	SHEET 1	OF 1