

4

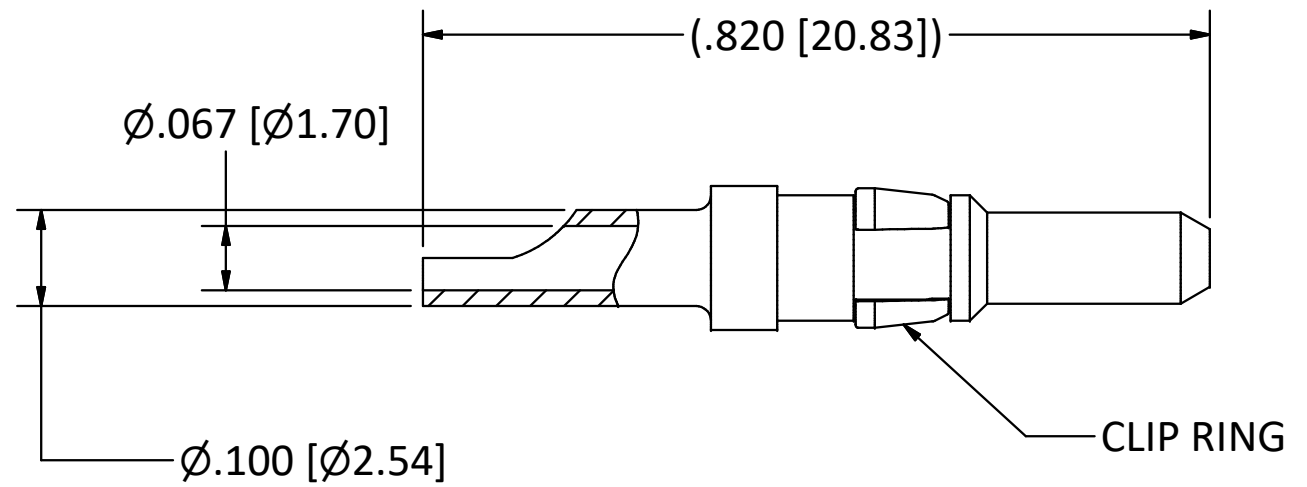
3

2

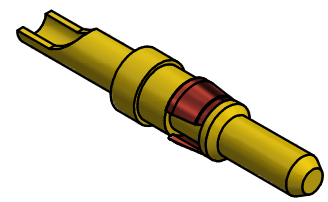
1

B

B



- NOTES:
1. SPECIFICATIONS PER IDS-56.
 2. ACCOMMODATES #16 AWG WIRE.
 3. MAGNETISM: <1.00000 mu.
- HOUSING:** CUSTOM AND BENDIX LRM, SIZE 12 CAVITY.



SCALE 2.5 : 1

| <p>This drawing embodies a proprietary design of The Phoenix Company of Chicago, Inc., Naugatuck, CT 06770. All design, manufacturing, reproduction, use, sale, and other rights regarding the same are expressly reserved. The information in this drawing may be covered completely or in part by patents and/or patents pending.</p> | | | | <p>WARNING - THIS DOCUMENT CONTAINS TECHNICAL DATA WHOSE EXPORT IS RESTRICTED BY THE ARMS EXPORT CONTROL ACT (TITLE 22, U.S.C., SEC 2751, ET. SEQ.) OR THE EXPORT ADMINISTRATION ACT OF 1979, AS AMENDED, TITLE 50, U.S.C., APP 2401 ET SEQ. VIOLATIONS OF THESE EXPORT LAWS ARE SUBJECT TO SEVERE CRIMINAL PENALTIES. DISSEMINATE IN ACCORDANCE WITH PROVISIONS OF DOD DIRECTIVE 5230.25.</p> | | | <p>Filename: ver2\Autodesk Inventor Data Base\Assemblies\56 Series\56-0020-0001J-CU.idw</p> | | | <p>The PHOENIX Company of Chicago, Inc. 22 GREAT HILL RD., NAUGATUCK, CT 06770 WWW.PHOENIXOFCHICAGO.COM PHONE: (800) 323-9562 FAX:(630) 206-1801</p> | | | | | | | | | | | |
|---|---------------|----------|-------------|--|----|-----------------|--|---------------------|-----|--|--------------|-----------|------|----------------------|------------|-------------------|------------|------------------------------------|--|---------------------|---------------------|
| | | | | | | | <p>UNLESS OTHERWISE SPECIFIED, PHOENIX WORKMANSHIP STANDARDS APPLY DIMENSIONS IN INCHES OR (METRIC)</p> <p>DO NOT SCALE PRINTS</p> <p>TOLERANCES ARE: FRACTIONS: ± 1/64 DECIMALS: .XX ± .01 .XXX ± .003 ANGLES: ± 1/2°</p> | | | <table border="1"> <thead> <tr> <th>APPROVALS</th> <th>DATE</th> </tr> </thead> <tbody> <tr> <td>DRAWN EK</td> <td>10/31/2008</td> </tr> <tr> <td>CHECKED JEM</td> <td>10/31/2008</td> </tr> <tr> <td>QA</td> <td></td> </tr> <tr> <td>MFG</td> <td></td> </tr> <tr> <td>ENGINEER HN</td> <td>10/31/2008</td> </tr> <tr> <td>APPROVED JEM</td> <td>10/31/2008</td> </tr> </tbody> </table> | | APPROVALS | DATE | DRAWN EK | 10/31/2008 | CHECKED JEM | 10/31/2008 | QA | | MFG | |
| APPROVALS | DATE | | | | | | | | | | | | | | | | | | | | |
| DRAWN EK | 10/31/2008 | | | | | | | | | | | | | | | | | | | | |
| CHECKED JEM | 10/31/2008 | | | | | | | | | | | | | | | | | | | | |
| QA | | | | | | | | | | | | | | | | | | | | | |
| MFG | | | | | | | | | | | | | | | | | | | | | |
| ENGINEER HN | 10/31/2008 | | | | | | | | | | | | | | | | | | | | |
| APPROVED JEM | 10/31/2008 | | | | | | | | | | | | | | | | | | | | |
| <table border="1"> <thead> <tr> <th>REV.</th> <th>DESCRIPTION</th> <th>DATE</th> <th>BY</th> </tr> </thead> <tbody> <tr> <td>D</td> <td>PER ECN 10427</td> <td>06/21/10</td> <td>JEM</td> </tr> <tr> <td>C</td> <td>PER ECN 9595</td> <td>10/31/08</td> <td>JEM</td> </tr> </tbody> </table> | | REV. | DESCRIPTION | DATE | BY | D | PER ECN 10427 | 06/21/10 | JEM | C | PER ECN 9595 | 10/31/08 | JEM | <p>SIZE B</p> | | <p>FSCM 58167</p> | | <p>DWG NO 56-0020-0001J</p> | | <p>REV C</p> | <p>PLATING OPT.</p> |
| REV. | DESCRIPTION | DATE | BY | | | | | | | | | | | | | | | | | | |
| D | PER ECN 10427 | 06/21/10 | JEM | | | | | | | | | | | | | | | | | | |
| C | PER ECN 9595 | 10/31/08 | JEM | | | | | | | | | | | | | | | | | | |
| | | | | <p>SCALE 5 : 1</p> | | <p>F.S.R. #</p> | | <p>SHEET 1 OF 1</p> | | | | | | | | | | | | | |

4

3

2

1

A

A