

4

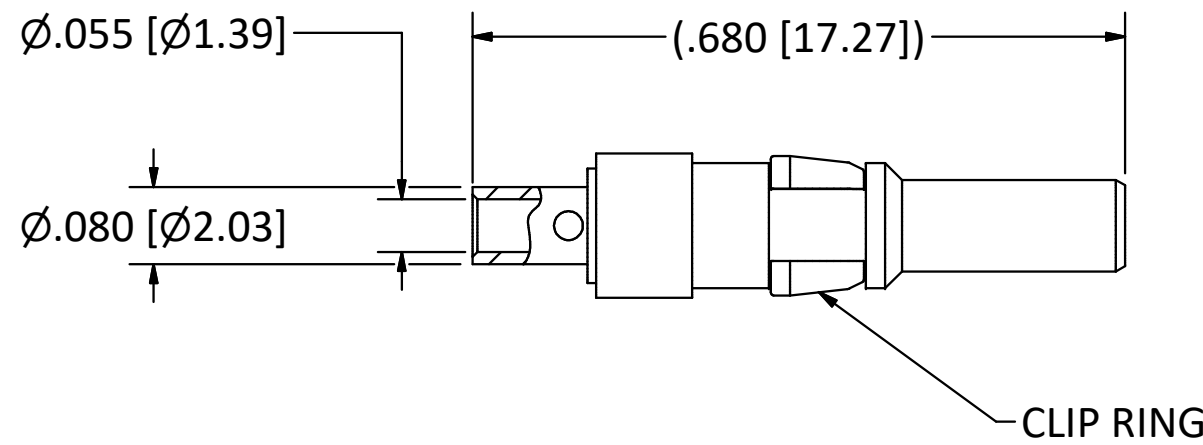
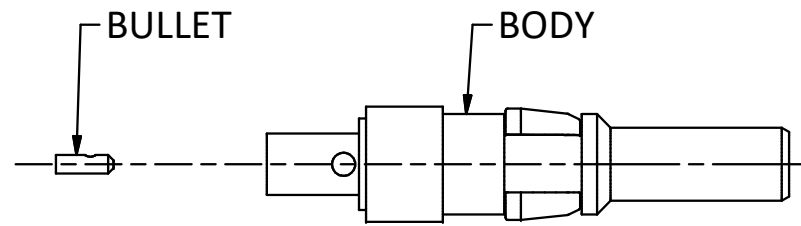
3

2

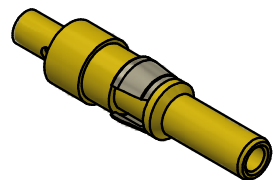
1

B

B



- NOTES:
1. SPECIFICATIONS PER IDS-56AJ.
 2. BULLET SHIPPED LOOSE.
 3. ACCOMMODATES RG-178, RG-196 OR 1.37mm CABLE.
 4. MAGNETISM: <1.00000 mu.
- HOUSING:** CUSTOM AND BENDIX LRM, SIZE 12 CAVITY.



SCALE 2.5 : 1

4

3

2

1

A

A

<p>This drawing embodies a proprietary design of The Phoenix Company of Chicago, Inc., Naugatuck, CT 06770. All design, manufacturing, reproduction, use, sale, and other rights regarding the same are expressly reserved. The information in this drawing may be covered completely or in part by patents and/or patents pending.</p>				<p>WARNING - THIS DOCUMENT CONTAINS TECHNICAL DATA WHOSE EXPORT IS RESTRICTED BY THE ARMS EXPORT CONTROL ACT (TITLE 22, U.S.C., SEC 2751, ET. SEQ.) OR THE EXPORT ADMINISTRATION ACT OF 1979, AS AMENDED, TITLE 50, U.S.C., APP 2401 ET SEQ. VIOLATIONS OF THESE EXPORT LAWS ARE SUBJECT TO SEVERE CRIMINAL PENALTIES. DISSEMINATE IN ACCORDANCE WITH PROVISIONS OF DOD DIRECTIVE 5230.25.</p>		<p>Filename: ver2\Autodesk Inventor Data Base\Assemblies\56 Series\56-0202-0400J-CU.idw</p>		<p>The PHOENIX Company of Chicago, Inc.</p> <p>22 GREAT HILL RD., NAUGATUCK, CT 06770 WWW.PHOENIXOFCHICAGO.COM</p> <p>PHONE: (800) 323-9562 FAX:(630) 206-1801</p>																									
						<p>UNLESS OTHERWISE SPECIFIED, PHOENIX WORKMANSHIP STANDARDS APPLY DIMENSIONS IN INCHES OR (METRIC)</p> <p>DO NOT SCALE PRINTS</p> <p>TOLERANCES ARE: FRACTIONS: ± 1/64 DECIMALS: .XX ± .01 .XXX ± .003 ANGLES: ± 1/2°</p>		<table border="1"> <thead> <tr> <th>APPROVALS</th> <th>DATE</th> </tr> </thead> <tbody> <tr> <td>DRAWN JEM</td> <td>11/02/12</td> </tr> <tr> <td>CHECKED JEM</td> <td>11/02/12</td> </tr> <tr> <td>QA</td> <td></td> </tr> <tr> <td>MFG</td> <td></td> </tr> <tr> <td>ENGINEER JEM</td> <td>11/02/12</td> </tr> <tr> <td>APPROVED JEM</td> <td>11/02/12</td> </tr> </tbody> </table>		APPROVALS	DATE	DRAWN JEM	11/02/12	CHECKED JEM	11/02/12	QA		MFG		ENGINEER JEM	11/02/12	APPROVED JEM	11/02/12	<p>TITLE PKZ® PLUG, DIRECT SOLDER TERMINATION</p>									
APPROVALS	DATE																																
DRAWN JEM	11/02/12																																
CHECKED JEM	11/02/12																																
QA																																	
MFG																																	
ENGINEER JEM	11/02/12																																
APPROVED JEM	11/02/12																																
<table border="1"> <thead> <tr> <th>REV.</th> <th>DESCRIPTION</th> <th>DATE</th> <th>BY</th> </tr> </thead> <tbody> <tr> <td>E</td> <td>PER ECN 13105</td> <td>09/17/18</td> <td>JEM</td> </tr> <tr> <td>D</td> <td>PER ECN 12036</td> <td>11/12/14</td> <td>JEM</td> </tr> <tr> <td>C</td> <td>PER ECN 11720</td> <td>07/17/13</td> <td>JEM</td> </tr> <tr> <td>B</td> <td>PER ECN 11645</td> <td>04/19/13</td> <td>JEM</td> </tr> <tr> <td>A</td> <td>PER ECN 11532</td> <td>01/04/13</td> <td>JEM</td> </tr> </tbody> </table>		REV.	DESCRIPTION	DATE	BY	E	PER ECN 13105	09/17/18	JEM	D	PER ECN 12036	11/12/14	JEM	C	PER ECN 11720	07/17/13	JEM	B	PER ECN 11645	04/19/13	JEM	A	PER ECN 11532	01/04/13	JEM			<p>SIZE B</p> <p>FSCM 58167</p> <p>DWG NO 56-0202-0400J</p> <p>SCALE 5 : 1</p>		<p>REV A</p> <p>PLATING OPT.</p>		<p>F.S.R. #</p> <p>SHEET 1 OF 1</p>	
REV.	DESCRIPTION	DATE	BY																														
E	PER ECN 13105	09/17/18	JEM																														
D	PER ECN 12036	11/12/14	JEM																														
C	PER ECN 11720	07/17/13	JEM																														
B	PER ECN 11645	04/19/13	JEM																														
A	PER ECN 11532	01/04/13	JEM																														