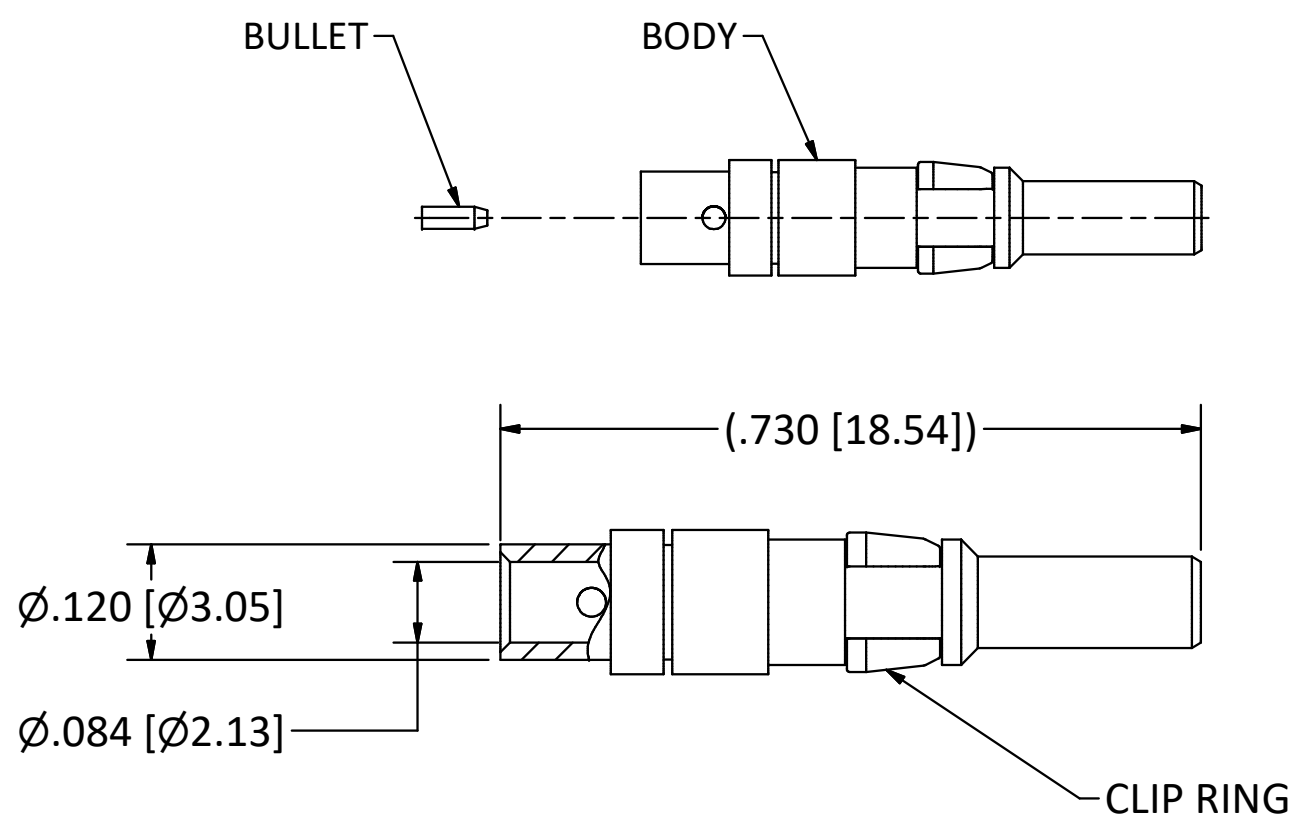


4

3

2

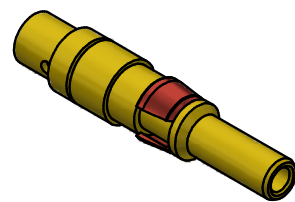
1



NOTES:

- 1. SPECIFICATIONS PER IDS-56AJ.
- 2. BULLET SHIPPED LOOSE.
- 3. ACCOMMODATES RG-174, RG-179, RG-187, RG-188, OR RG-316 CABLE.
- 4. MAGNETISM: < 1.00000 mu.

**HOUSING:** CUSTOM AND BENDIX LRM, SIZE 12 CAVITY.



SCALE 2.5 : 1

C	PER ECN 11724	7/18/13	JEM
B	PER ECN 11644	4/18/13	JEM
A	PER ECN 11552	1/17/13	JEM
01	PROTOTYPE	11/02/12	JEM
REV	DESCRIPTION	DATE	BY

This drawing embodies a proprietary design of The Phoenix Company of Chicago, Inc., Naugatuck, CT 06770. All design, manufacturing, reproduction, use, sale, and other rights regarding the same are expressly reserved. The information in this drawing may be covered completely or in part by patents and/or patents pending.

WARNING - THIS DOCUMENT CONTAINS TECHNICAL DATA WHOSE EXPORT IS RESTRICTED BY THE ARMS EXPORT CONTROL ACT (TITLE 22, U.S.C., SEC 2751, ET. SEQ.) OR THE EXPORT ADMINISTRATION ACT OF 1979, AS AMENDED, TITLE 50, U.S.C., APP 2401 ET SEQ. VIOLATIONS OF THESE EXPORT LAWS ARE SUBJECT TO SEVERE CRIMINAL PENALTIES. DISSEMINATE IN ACCORDANCE WITH PROVISIONS OF DOD DIRECTIVE 5230.25.

Filename: \\Autodesk Inventor Data Base\Assemblies\78 Series\78-1080-0670-CU-Layout for C Sized Drawing.idw

UNLESS OTHERWISE SPECIFIED, PHOENIX WORKMANSHIP STANDARDS APPLY DIMENSIONS IN INCHES OR (METRIC)

DO NOT SCALE PRINTS  
TOLERANCES ARE:  
FRACTIONS: ± 1/64  
DECIMALS: .XX ± .01  
.XXX ± .003  
ANGLES: ± 1/2°

32√

APPROVALS	DATE
DRAWN JEM	11/02/12
CHECKED JEM	11/02/12
QA	
MFG	
ENGINEER JEM	11/02/12
APPROVED JEM	11/02/12

**The PHOENIX Company of Chicago, Inc.**

22 GREAT HILL RD., NAUGATUCK, CT 06770  
WWW.PHOENIXOFCHICAGO.COM  
PHONE: (800) 323-9562 FAX:(630) 206-1801

TITLE  
**PKZ® PLUG, DIRECT SOLDER TERMINATION**

SIZE <b>B</b>	FSCM 58167	DWG NO <b>56-0202-0670J</b>	REV C	PLATING OPT.
SCALE 5 : 1	F.S.R. #	SHEET 1 OF 1		

4

3

2

1