

4

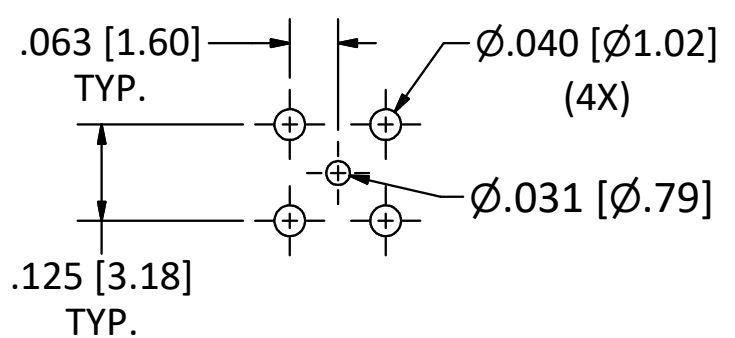
3

2

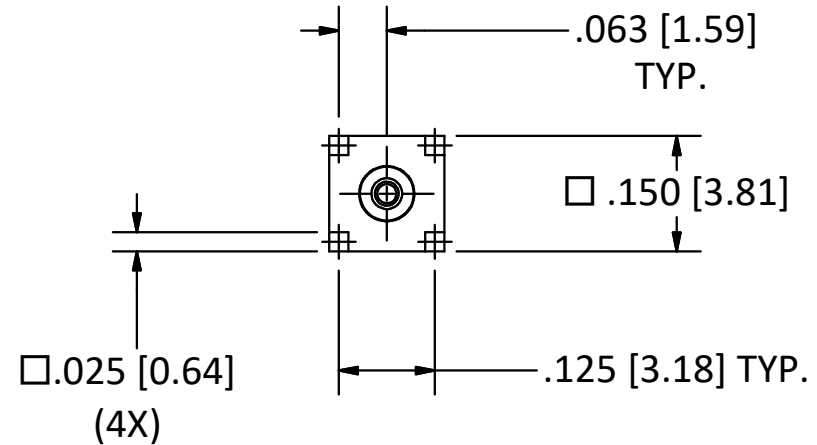
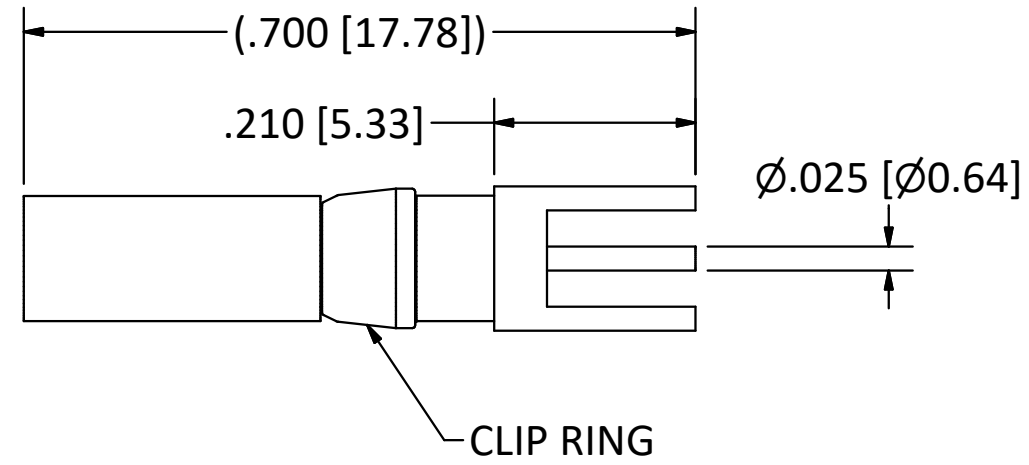
1

B

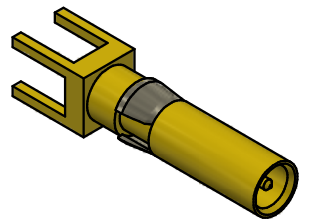
B



RECOMMENDED MOUNTING HOLES



NOTES:
 1. SPECIFICATIONS PER IDS-56.
HOUSING: CUSTOM AND BENDIX LRM, SIZE 12 CAVITY.



SCALE 2.5 : 1

4

3

2

1

A

A

This drawing embodies a proprietary design of The Phoenix Company of Chicago, Inc., Naugatuck, CT 06770. All design, manufacturing, reproduction, use, sale, and other rights regarding the same are expressly reserved. The information in this drawing may be covered completely or in part by patents and/or patents pending.				WARNING - THIS DOCUMENT CONTAINS TECHNICAL DATA WHOSE EXPORT IS RESTRICTED BY THE ARMS EXPORT CONTROL ACT (TITLE 22, U.S.C., SEC 2751, ET. SEQ.) OR THE EXPORT ADMINISTRATION ACT OF 1979, AS AMENDED, TITLE 50, U.S.C., APP 2401 ET SEQ. VIOLATIONS OF THESE EXPORT LAWS ARE SUBJECT TO SEVERE CRIMINAL PENALTIES. DISSEMINATE IN ACCORDANCE WITH PROVISIONS OF DOD DIRECTIVE 5230.25.				Filename: \\Autodesk Inventor Data Base\Assemblies\78 Series\78-1080-0670-CU-Layout for C Sized Drawing.idw				The PHOENIX Company of Chicago, Inc. 22 GREAT HILL RD., NAUGATUCK, CT 06770 WWW.PHOENIXOFCHICAGO.COM PHONE: (800) 323-9562 FAX:(630) 206-1801					
								UNLESS OTHERWISE SPECIFIED, PHOENIX WORKMANSHIP STANDARDS APPLY DIMENSIONS IN INCHES OR (METRIC)		APPROVALS DRAWN JEM CHECKED HN QA MFG						DATE 9/24/1998 9/24/1998	
DO NOT SCALE PRINTS		TOLERANCES ARE: FRACTIONS: ± 1/64 DECIMALS: .XX ± .01 .XXX ± .003		ENGINEER JEM		DATE 9/24/1998		SIZE B		FSCM 58167		DWG NO 56-1450-00		REV B		PLATING OPT. A	
ANGLES: ± 1/2°		$\sqrt{32}$		APPROVED JEM		DATE 9/24/1998		SCALE 5 : 1		F.S.R. #		SHEET 1 OF 1					
B	PER ECN 7289	2/17/04	HN														
A	PER ECN 4712	9/24/98	HN														
REV	DESCRIPTION	DATE	BY														