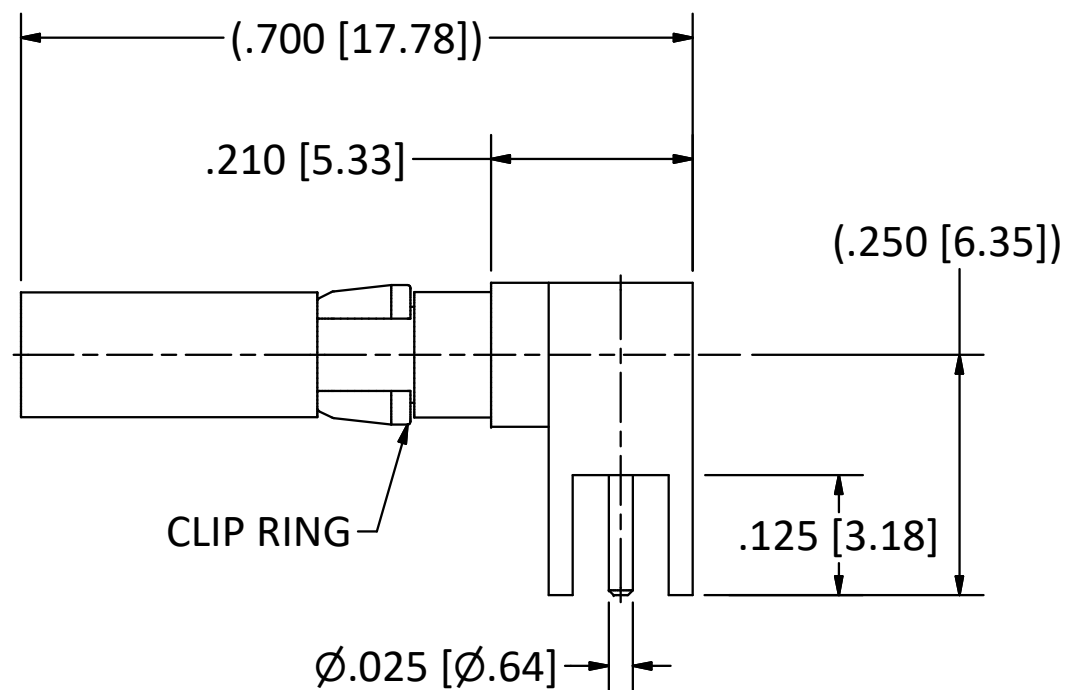
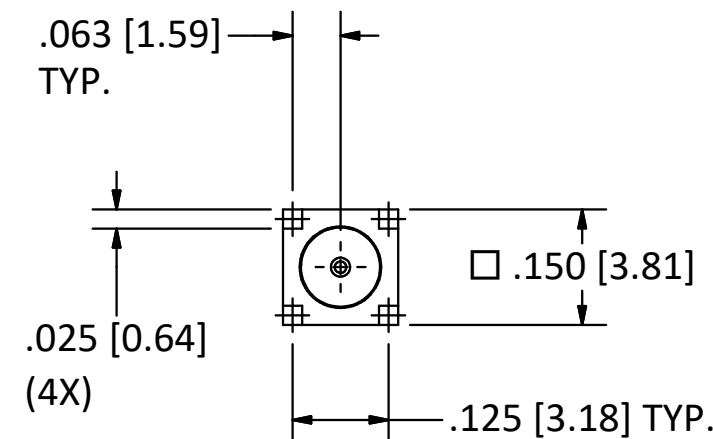


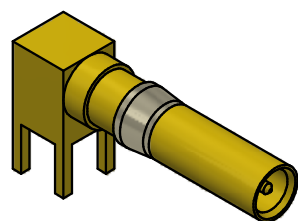
RECOMMENDED MOUNTING HOLES.



CLIP RING



NOTES:
 1. SPECIFICATIONS PER IDS-56.
HOUSING: CUSTOM AND BENDIX LRM, SIZE 12 CAVITY.



SCALE 2.5 : 1

REV	DESCRIPTION	DATE	BY
F	PER ECN #13244	2/19/19	JEM
E	PER ECN #12257	12/22/15	JEM
D	PER ECN #12024	10/31/14	JEM
C	PER ECN #11520	12/12/12	JEM

This drawing embodies a proprietary design of The Phoenix Company of Chicago, Inc., Naugatuck, CT 06770. All design, manufacturing, reproduction, use, sale, and other rights regarding the same are expressly reserved. The information in this drawing may be covered completely or in part by patents and/or patents pending.

WARNING - THIS DOCUMENT CONTAINS TECHNICAL DATA WHOSE EXPORT IS RESTRICTED BY THE ARMS EXPORT CONTROL ACT (TITLE 22, U.S.C., SEC 2751, ET. SEQ.) OR THE EXPORT ADMINISTRATION ACT OF 1979, AS AMENDED, TITLE 50, U.S.C., APP 2401 ET SEQ. VIOLATIONS OF THESE EXPORT LAWS ARE SUBJECT TO SEVERE CRIMINAL PENALTIES. DISSEMINATE IN ACCORDANCE WITH PROVISIONS OF DOD DIRECTIVE 5230.25.

Filename: ver2\Autodesk Inventor Data Base\Assemblies\56 Series\56-3450-00-CU.idw

UNLESS OTHERWISE SPECIFIED, PHOENIX WORKMANSHIP STANDARDS APPLY DIMENSIONS IN INCHES OR (METRIC)

DO NOT SCALE PRINTS
 TOLERANCES ARE:
 FRACTIONS: ± 1/64
 DECIMALS: .XX ± .01
 .XXX ± .003
 ANGLES: ± 1/2°

32

APPROVALS	DATE
DRAWN JEM	12/12/2012
CHECKED HN	12/12/2012
QA	
MFG	
ENGINEER JEM	12/12/2012
APPROVED HN	12/12/2012

The **PHOENIX** Company of Chicago, Inc.

22 GREAT HILL RD., NAUGATUCK, CT 06770
 WWW.PHOENIXOFCHICAGO.COM
 PHONE: (800) 323-9562 FAX:(630) 206-1801

TITLE
**PkZ® RIGHT ANGLE RECEPTACLE,
 PRINTED CIRCUIT MOUNT**

SIZE	FSCM	DWG NO	REV	PLATING OPT.
B	58167	56-3450-00	F	A, B, D
SCALE	5 : 1	F.S.R. #	SHEET 1	OF 1