

4

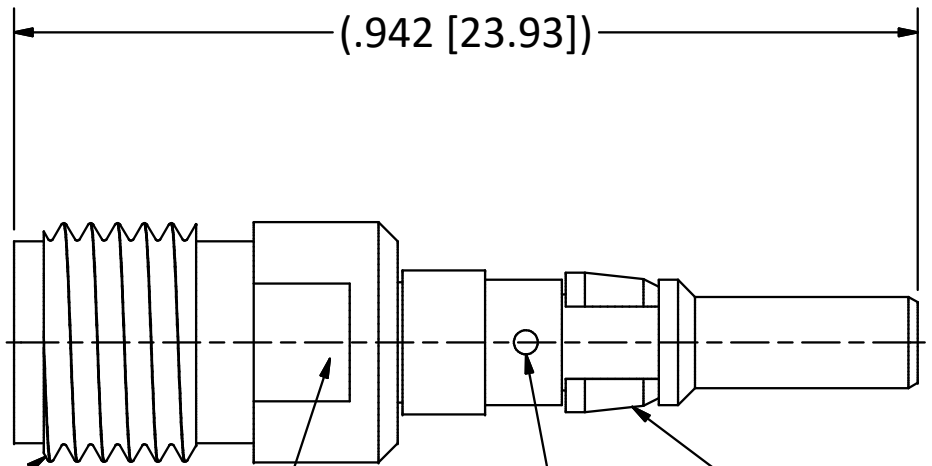
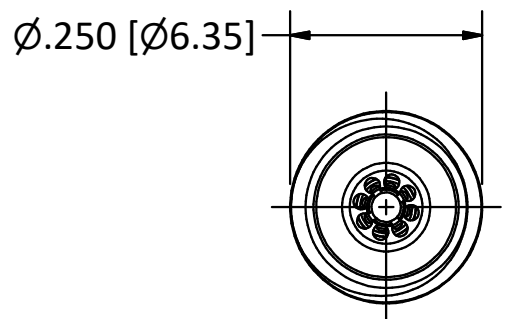
3

2

1

B

B



.250-36  
UNS-2A THREADS

.218 [5.54]  
ACROSS FLATS

BLACK DOT

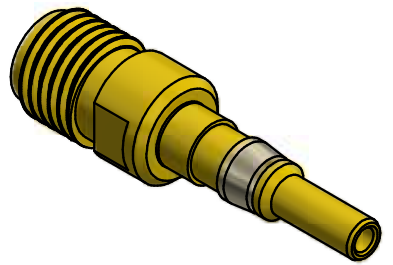
CLIP RING

**NOTES:**

- 1. SPECIFICATIONS PER IDS-56 AND IDS-2\_9 (2.92mm).
- 2. ELECTRICAL :
  - 2.1 FREQ. RANGE DC TO 40 GHz.
  - 2.2 VSWR - 1.25:1 MAX @ DC TO 26.5 GHz.
  - 1.35:1 MAX @ 26.5 GHz TO 40 GHz.
- HOUSING:** CUSTOM AND BENDIX LRM, SIZE 12 CAVITY.

A

A



SCALE 2.5: 1

B	PER ECN 13027	7/26/18	JEM
A	REL PER ECN 11917	6/25/14	JEM
01	PRELIMINARY	4/7/14	JEM
REV	DESCRIPTION	DATE	BY

This drawing embodies a proprietary design of The Phoenix Company of Chicago, Inc., Naugatuck, CT 06770. All design, manufacturing, reproduction, use, sale, and other rights regarding the same are expressly reserved. The information in this drawing may be covered completely or in part by patents and/or patents pending.

WARNING - THIS DOCUMENT CONTAINS TECHNICAL DATA WHOSE EXPORT IS RESTRICTED BY THE ARMS EXPORT CONTROL ACT (TITLE 22, U.S.C., SEC 2751, ET. SEQ.) OR THE EXPORT ADMINISTRATION ACT OF 1979, AS AMENDED, TITLE 50, U.S.C., APP 2401 ET SEQ. VIOLATIONS OF THESE EXPORT LAWS ARE SUBJECT TO SEVERE CRIMINAL PENALTIES. DISSEMINATE IN ACCORDANCE WITH PROVISIONS OF DOD DIRECTIVE 5230.25.

Filename: \\Autodesk Inventor Data Base\Assemblies\78 Series\78-1080-0670-CU-Layout for C Sized Drawing.idw		
UNLESS OTHERWISE SPECIFIED, PHOENIX WORKMANSHIP STANDARDS APPLY DIMENSIONS IN INCHES OR (METRIC)  DO NOT SCALE PRINTS  TOLERANCES ARE: FRACTIONS: ± 1/64 DECIMALS: .XX ± .01 .XXX ± .003 ANGLES: ± 1/2°	APPROVALS	DATE
	DRAWN JEM	4/7/2014
	CHECKED JEM	6/25/2014
	QA	
	MFG	
	ENGINEER LRG	4/7/2014
APPROVED JEM	6/25/2014	

<b>The PHOENIX Company of Chicago, Inc.</b>				
22 GREAT HILL RD., NAUGATUCK, CT 06770 WWW.PHOENIXOFCHICAGO.COM PHONE: (800) 323-9562 FAX:(630) 206-1801				
TITLE <b>ADAPTER, PKZ® PLUG TO 2.92mm RECEPTACLE</b>				
SIZE <b>B</b>	FSCM 58167	DWG NO <b>562_9-0100-00</b>	REV B	PLATING OPT. G, P
SCALE 5 : 1	F.S.R. #	SHEET 1 OF 1		

4

3

2

1