

4

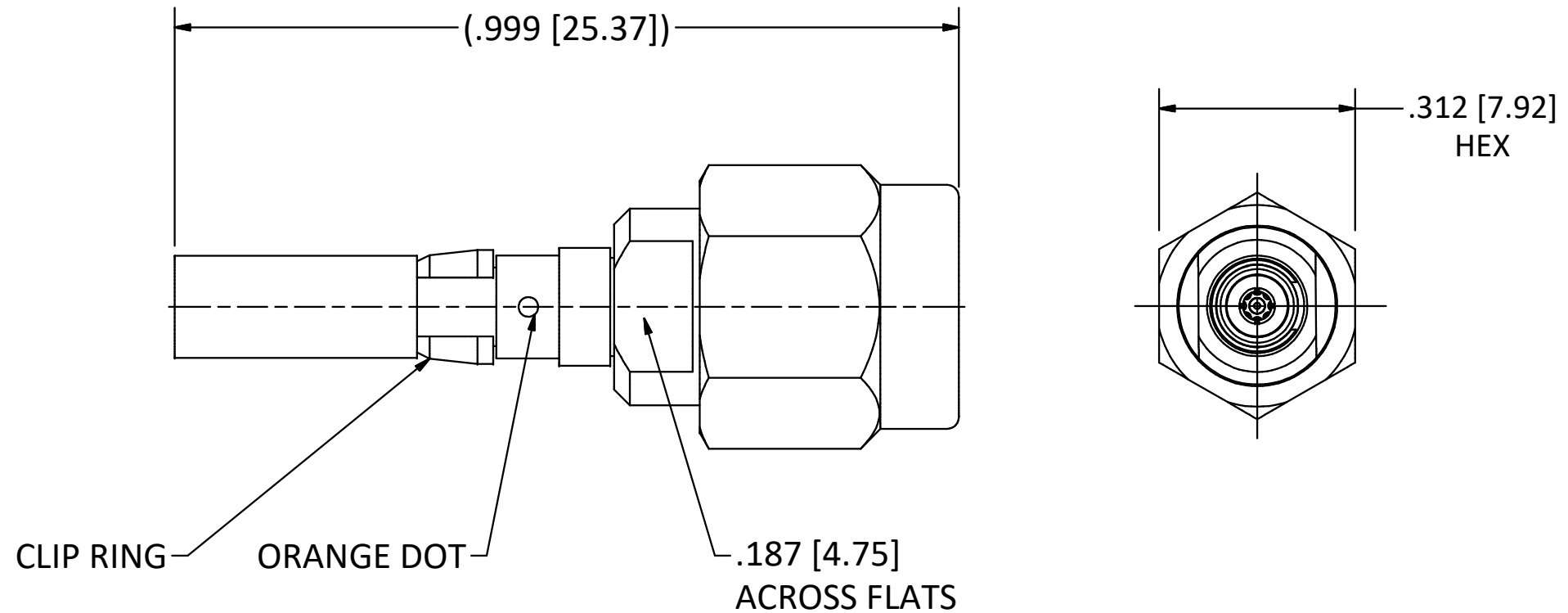
3

2

1

B

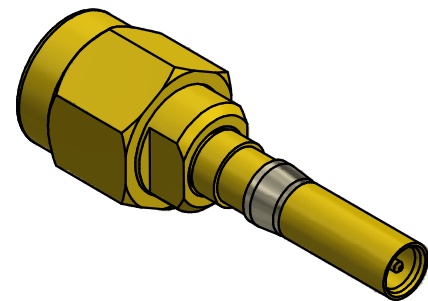
B



NOTES:

- 1. SPECIFICATIONS PER IDS-56 AND IDS-2\_9 (2.92mm).
- 2. ELECTRICAL:
  - 2.1 FREQ. RANGE DC TO 26.5 GHz.
  - 2.2 VSWR - 1.25:1 MAX.

**HOUSING:** CUSTOM AND BENDIX LRM, SIZE 12 CAVITY.



SCALE 2.5 : 1

4

3

2

1

A

A

This drawing embodies a proprietary design of The Phoenix Company of Chicago, Inc., Naugatuck, CT 06770. All design, manufacturing, reproduction, use, sale, and other rights regarding the same are expressly reserved. The information in this drawing may be covered completely or in part by patents and/or patents pending.				WARNING - THIS DOCUMENT CONTAINS TECHNICAL DATA WHOSE EXPORT IS RESTRICTED BY THE ARMS EXPORT CONTROL ACT (TITLE 22, U.S.C., SEC 2751, ET. SEQ.) OR THE EXPORT ADMINISTRATION ACT OF 1979, AS AMENDED, TITLE 50, U.S.C., APP 2401 ET SEQ. VIOLATIONS OF THESE EXPORT LAWS ARE SUBJECT TO SEVERE CRIMINAL PENALTIES. DISSEMINATE IN ACCORDANCE WITH PROVISIONS OF DOD DIRECTIVE 5230.25.		Filename: \\Autodesk Inventor Data Base\Assemblies\78 Series\78-1080-0670-CU-Layout for C Sized Drawing.idw		<b>The PHOENIX Company of Chicago, Inc.</b> 22 GREAT HILL RD., NAUGATUCK, CT 06770 WWW.PHOENIXOFCHICAGO.COM PHONE: (800) 323-9562 FAX:(630) 206-1801											
						UNLESS OTHERWISE SPECIFIED, PHOENIX WORKMANSHIP STANDARDS APPLY DIMENSIONS IN INCHES OR (METRIC)  DO NOT SCALE PRINTS  TOLERANCES ARE: FRACTIONS: $\pm 1/64$ DECIMALS: $.XX \pm .01$ $.XXX \pm .003$ ANGLES: $\pm 1/2^\circ$						<table border="1"> <thead> <tr> <th>APPROVALS</th> <th>DATE</th> </tr> </thead> <tbody> <tr> <td>DRAWN JEM</td> <td>7/5/2018</td> </tr> <tr> <td>CHECKED RMB</td> <td>7/5/2018</td> </tr> <tr> <td>QA</td> <td></td> </tr> <tr> <td>MFG</td> <td></td> </tr> <tr> <td>ENGINEER JEM</td> <td>7/5/2018</td> </tr> <tr> <td>APPROVED RMB</td> <td>7/5/2018</td> </tr> </tbody> </table>		APPROVALS	DATE	DRAWN JEM	7/5/2018	CHECKED RMB	7/5/2018
APPROVALS	DATE																		
DRAWN JEM	7/5/2018																		
CHECKED RMB	7/5/2018																		
QA																			
MFG																			
ENGINEER JEM	7/5/2018																		
APPROVED RMB	7/5/2018																		
C	REL. PER ECN 13027	7/5/18	JEM	SIZE <b>B</b>	FSCM 58167	DWG NO <b>562_9-1000-01</b>	REV C	PLATING OPT. G, P	SCALE 5 : 1										
REV	DESCRIPTION	DATE	BY	F.S.R. #		SHEET 1 OF 1													