

4

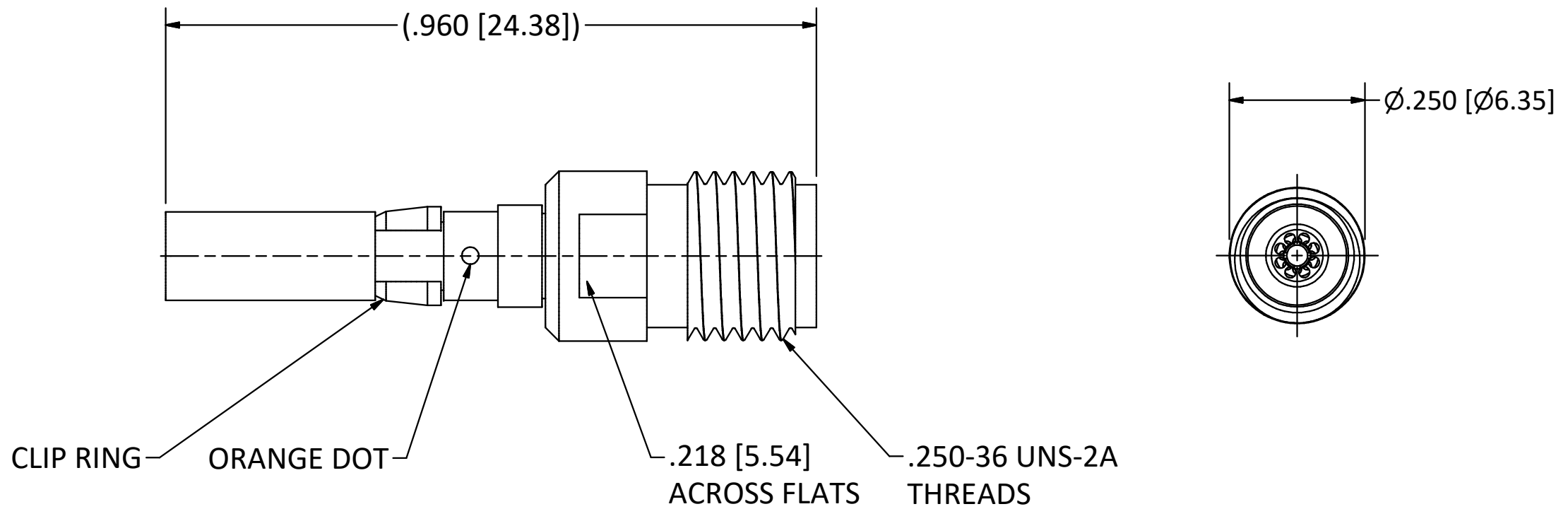
3

2

1

B

B



NOTES:

1. SPECIFICATIONS PER IDS-56 AND IDS-2_9 (2.92mm).

2. ELECTRICAL:

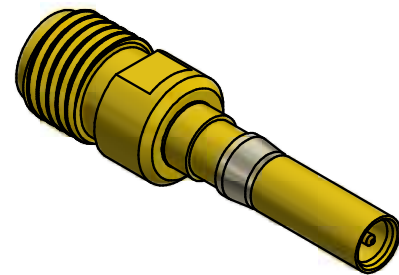
2.1 FREQ. RANGE DC TO 26.5 GHz.

2.2 VSWR - 1.25:1 MAX.

HOUSING: CUSTOM AND BENDIX LRM, SIZE 12 CAVITY.

A

A



SCALE 2.5 : 1

C	REL. PER ECN 13027	7/26/18	JEM
REV	DESCRIPTION	DATE	BY

This drawing embodies a proprietary design of The Phoenix Company of Chicago, Inc., Naugatuck, CT 06770. All design, manufacturing, reproduction, use, sale, and other rights regarding the same are expressly reserved. The information in this drawing may be covered completely or in part by patents and/or patents pending.

WARNING - THIS DOCUMENT CONTAINS TECHNICAL DATA WHOSE EXPORT IS RESTRICTED BY THE ARMS EXPORT CONTROL ACT (TITLE 22, U.S.C., SEC 2751, ET. SEQ.) OR THE EXPORT ADMINISTRATION ACT OF 1979, AS AMENDED, TITLE 50, U.S.C., APP 2401 ET SEQ. VIOLATIONS OF THESE EXPORT LAWS ARE SUBJECT TO SEVERE CRIMINAL PENALTIES. DISSEMINATE IN ACCORDANCE WITH PROVISIONS OF DOD DIRECTIVE 5230.25.

Filename: ver2\Autodesk Inventor Data Base\Adaptors\562_9\562_9-1100-01-CU.idw

UNLESS OTHERWISE SPECIFIED, PHOENIX WORKMANSHIP STANDARDS APPLY DIMENSIONS IN INCHES OR (METRIC)

DO NOT SCALE PRINTS
TOLERANCES ARE:
FRACTIONS: ± 1/64
DECIMALS: .XX ± .01
.XXX ± .003
ANGLES: ± 1/2°



APPROVALS	DATE
DRAWN JEM	7/26/1978
CHECKED JEM	7/26/1978
QA	
MFG	
ENGINEER JEM	7/26/1978
APPROVED JEM	7/26/1978

The **PHOENIX** Company of Chicago, Inc.

22 GREAT HILL RD., NAUGATUCK, CT 06770
WWW.PHOENIXOFCHICAGO.COM
PHONE: (800) 323-9562 FAX:(630) 206-1801

TITLE ADAPTER, PkZ® RECEPTACLE TO 2.92mm RECEPTACLE					
SIZE B	FSCM 58167	DWG NO 562_9-1100-01	REV C	PLATING OPT. G, P	
SCALE	5 : 1	F.S.R. #	SHEET	1	OF 1

4

3

2

1