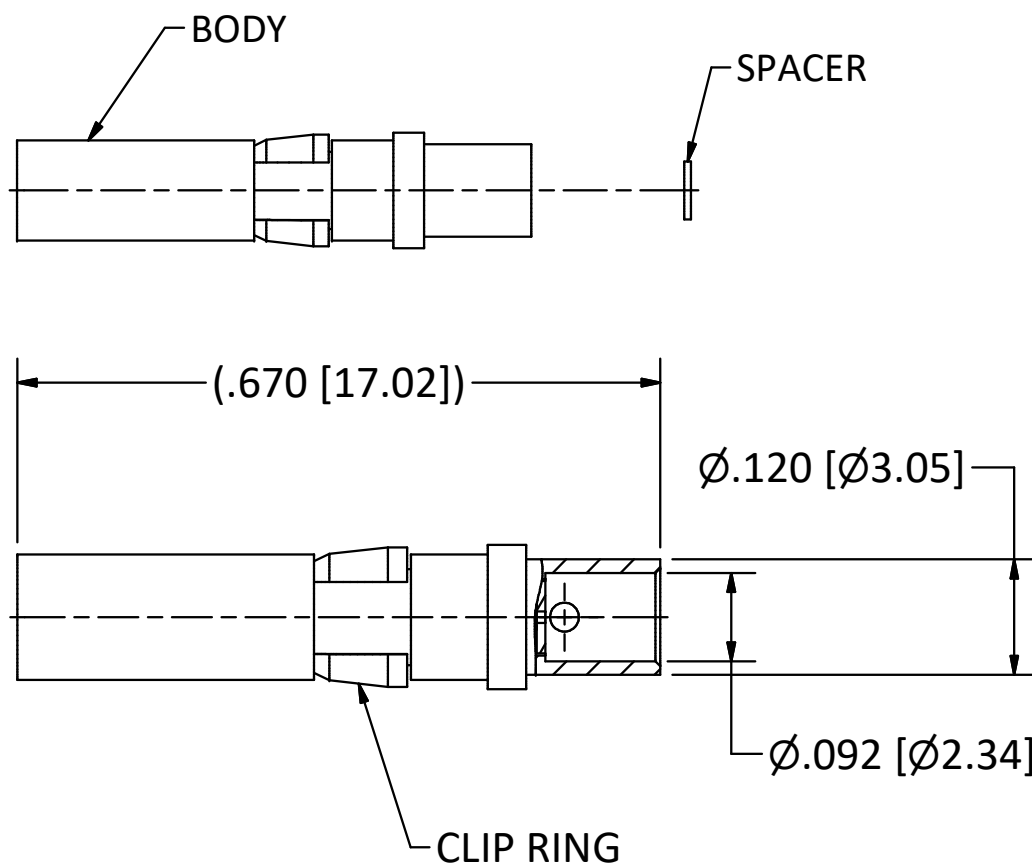


4

3

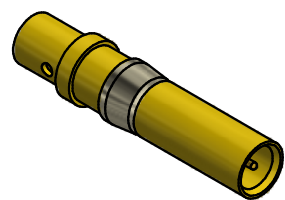
2

1



NOTES:

- 1. SPECIFICATIONS PER IDS-756.
 - 2. SPACER SHIPPED LOOSE.
 - 3. ACCOMMODATES HARBOUR 75-OHM SS75086 CABLE.
- HOUSING:** CUSTOM AND BENDIX LRM, SIZE 12 CAVITY.



SCALE 2.5 : 1

D	PER ECN 13134	9/28/18	JEM
C	PER ECN 13061	8/3/18	JEMM
B	PER ECN 12405	11/30/16	RMB
A	PER ECN 11952	8/7/14	JEM
REV	DESCRIPTION	DATE	BY

This drawing embodies a proprietary design of The Phoenix Company of Chicago, Inc., Naugatuck, CT 06770. All design, manufacturing, reproduction, use, sale, and other rights regarding the same are expressly reserved. The information in this drawing may be covered completely or in part by patents and/or patents pending.

WARNING - THIS DOCUMENT CONTAINS TECHNICAL DATA WHOSE EXPORT IS RESTRICTED BY THE ARMS EXPORT CONTROL ACT (TITLE 22, U.S.C., SEC 2751, ET. SEQ.) OR THE EXPORT ADMINISTRATION ACT OF 1979, AS AMENDED, TITLE 50, U.S.C., APP 2401 ET SEQ. VIOLATIONS OF THESE EXPORT LAWS ARE SUBJECT TO SEVERE CRIMINAL PENALTIES. DISSEMINATE IN ACCORDANCE WITH PROVISIONS OF DOD DIRECTIVE 5230.25.

Filename: \\Autodesk Inventor Data Base\Assemblies\78 Series\78-1080-0670-CU-Layout for C Sized Drawing.idw

UNLESS OTHERWISE SPECIFIED, PHOENIX WORKMANSHIP STANDARDS APPLY DIMENSIONS IN INCHES OR (METRIC)

DO NOT SCALE PRINTS
TOLERANCES ARE:
FRACTIONS: ± 1/64
DECIMALS: .XX ± .01
.XXX ± .003
ANGLES: ± 1/2°

32√

APPROVALS	DATE
DRAWN BK	8/7/2014
CHECKED JEM	8/7/2014
QA	
MFG	
ENGINEER BK	8/7/2014
APPROVED JEM	8/7/2014

The PHOENIX Company of Chicago, Inc.

22 GREAT HILL RD., NAUGATUCK, CT 06770
WWW.PHOENIXOFCHICAGO.COM
PHONE: (800) 323-9562 FAX:(630) 206-1801

TITLE
75 OHM, PkZ® RECEPTACLE, DIRECT SOLDER TERMINATION

SIZE B	FSCM 58167	DWG NO 756-1202-0860	REV D	PLATING OPT. A, B, C, D
SCALE 5 : 1	F.S.R. #	SHEET 1 OF 1		

4

3

2

1