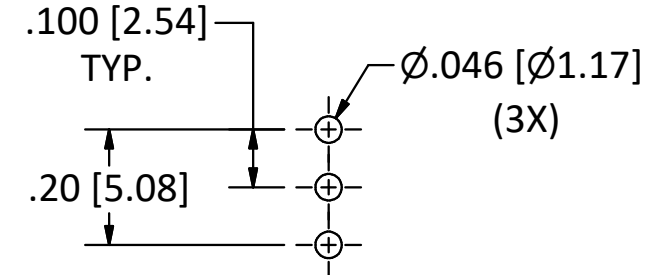
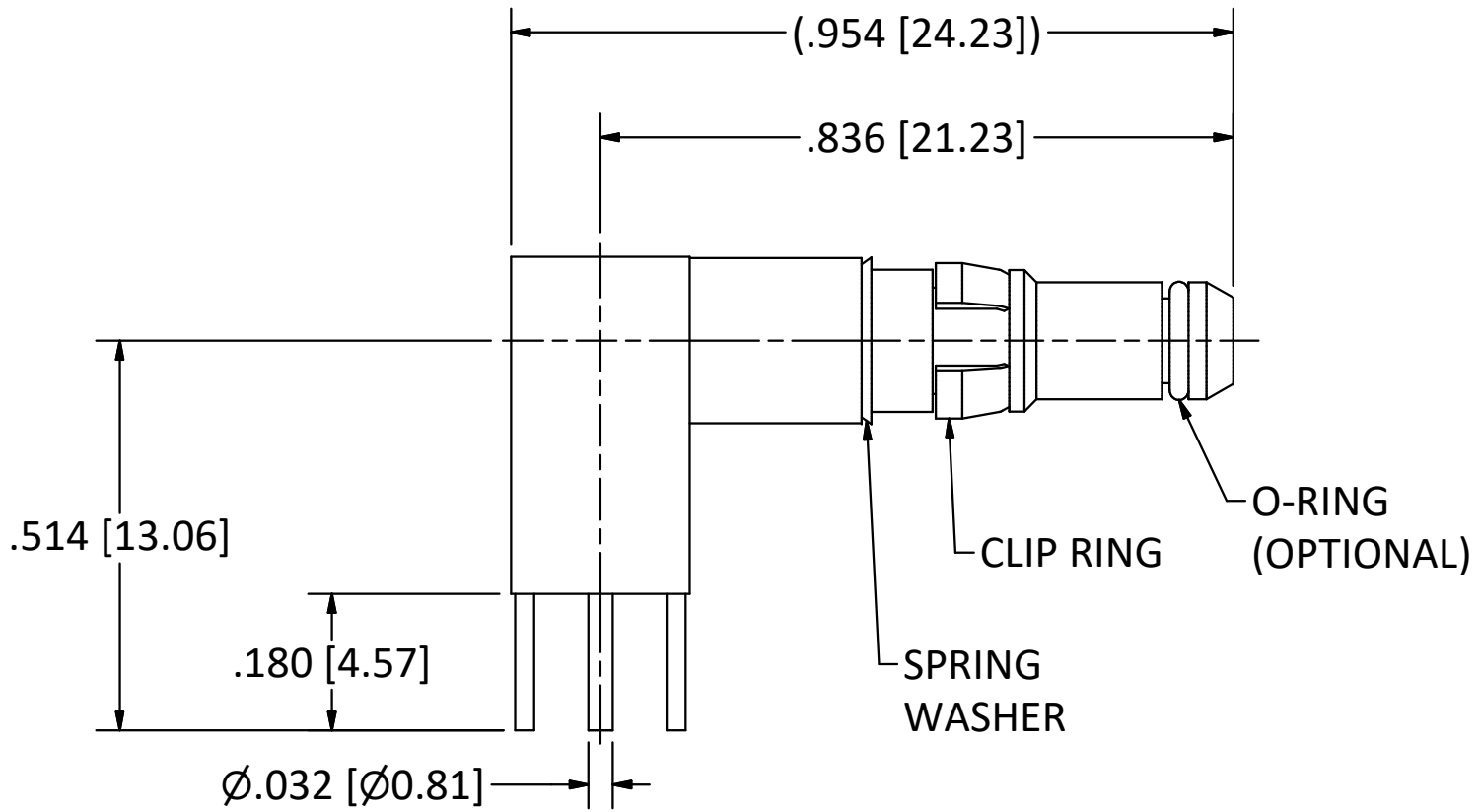
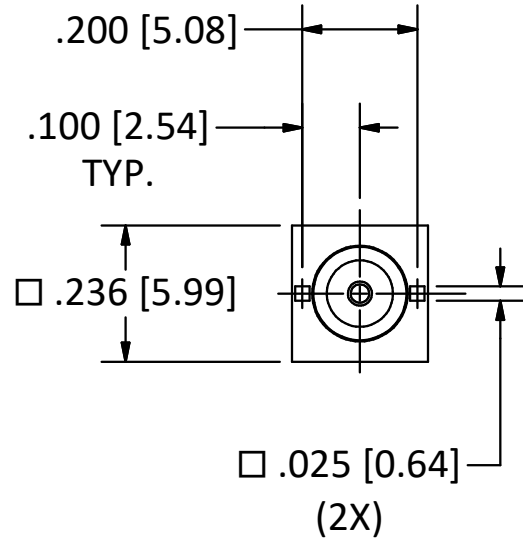


4

3

2

1

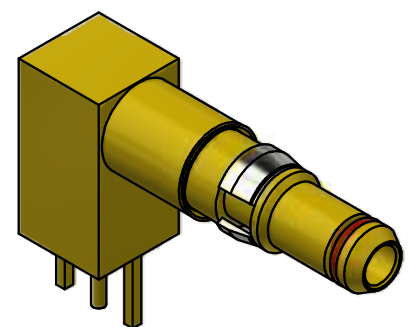


RECOMMENDED MOUNTING HOLES

O-RING (OPTIONAL)
CLIP RING
SPRING WASHER

NOTES
1. SPECIFICATIONS PER IDS-76.
HOUSING: D-SUBMINIATURE, SIZE 8 CAVITY, SHELL SIZE D.

| PART NUMBER | O-RING OPTIONS |
|-------------|----------------|
| 76-2450-63 | NONE |
| 76-2451-63 | ENVIRONMENTAL |
| 76-2453-63 | EMI SPRING |
| 76-2455-63 | GROUNDING RING |



SCALE 2.5 : 1

| REV. | DESCRIPTION | DATE | BY |
|------|-------------|---------|-----|
| 01 | PRELIMINARY | 1/23/18 | RMB |

This drawing embodies a proprietary design of The Phoenix Company of Chicago, Inc., Naugatuck, CT 06770. All design, manufacturing, reproduction, use, sale, and other rights regarding the same are expressly reserved. The information in this drawing may be covered completely or in part by patents and/or patents pending.

WARNING - THIS DOCUMENT CONTAINS TECHNICAL DATA WHOSE EXPORT IS RESTRICTED BY THE ARMS EXPORT CONTROL ACT (TITLE 22, U.S.C., SEC 2751, ET. SEQ.) OR THE EXPORT ADMINISTRATION ACT OF 1979, AS AMENDED, TITLE 50, U.S.C., APP 2401 ET SEQ. VIOLATIONS OF THESE EXPORT LAWS ARE SUBJECT TO SEVERE CRIMINAL PENALTIES. DISSEMINATE IN ACCORDANCE WITH PROVISIONS OF DOD DIRECTIVE 5230.25.

| | | |
|---|-----------------|-----------|
| Filename: \\Autodesk Inventor Data Base\Assemblies\78 Series\78-1080-0670-CU-Layout for C Sized Drawing.idw | | |
| UNLESS OTHERWISE SPECIFIED, PHOENIX WORKMANSHIP STANDARDS APPLY DIMENSIONS IN INCHES OR (METRIC) DO NOT SCALE PRINTS TOLERANCES ARE: FRACTIONS: ± 1/64 DECIMALS: .XX ± .01 .XXX ± .003 ANGLES: ± 1/2° | APPROVALS | DATE |
| | DRAWN JEM | 1/24/2018 |
| | CHECKED RMB | 1/24/2018 |
| | QA | |
| | MFG | |
| | ENGINEER JEM | 1/24/2018 |
| APPROVED RMB | 1/24/2018 | |

The PHOENIX Company of Chicago, Inc.
22 GREAT HILL RD., NAUGATUCK, CT 06770
WWW.PHOENIXOFCHICAGO.COM
PHONE: (800) 323-9562 FAX:(630) 206-1801

TITLE
75 OHM, PkZ® RIGHT ANGLE PLUG, PRINTED CIRCUIT MOUNT

| | | | | |
|------------------|---------------|-----------------------------|--------------|----------------------------|
| SIZE B | FSCM 58167 | DWG NO 76-245X-63 | REV 01 | PLATING OPT. A, B, C, D |
| SCALE 2.5 : 1 | | F.S.R. # | SHEET 1 OF 1 | |

4

3

2

1