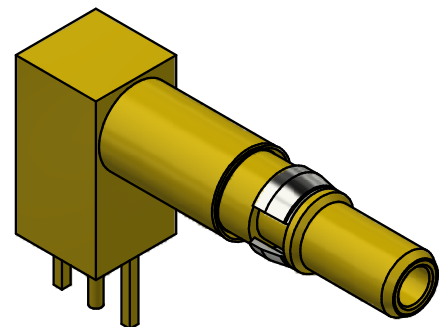


NOTES:
 1. SPECIFICATIONS PER IDS-76 HERMETIC.
 2. HERMETICITY 10E-7 CC of He/SEC @ 1 ATM.
HOUSING: D-SUBMINIATURE, SIZE 8 CAVITY, SHELL SIZE D.



SCALE 2.5 : 1

REV	DESCRIPTION	DATE	BY
B	ECN 13688	2/18/20	JEM
A	ECN 13667	2/6/20	RMB
04	REVISED	7/19/19	JEM
03	REVISED	7/2/19	RMB
02	REVISED	5/22/19	BH
01	PRELIMINARY	5/14/19	RMB

This drawing embodies a proprietary design of The Phoenix Company of Chicago, Inc., Naugatuck, CT 06770. All design, manufacturing, reproduction, use, sale, and other rights regarding the same are expressly reserved. The information in this drawing may be covered completely or in part by patents and/or patents pending.

WARNING - THIS DOCUMENT CONTAINS TECHNICAL DATA WHOSE EXPORT IS RESTRICTED BY THE ARMS EXPORT CONTROL ACT (TITLE 22, U.S.C., SEC 2751, ET. SEQ.) OR THE EXPORT ADMINISTRATION ACT OF 1979, AS AMENDED, TITLE 50, U.S.C., APP 2401 ET SEQ. VIOLATIONS OF THESE EXPORT LAWS ARE SUBJECT TO SEVERE CRIMINAL PENALTIES. DISSEMINATE IN ACCORDANCE WITH PROVISIONS OF DOD DIRECTIVE 5230.25.

Filename: ver2\Autodesk Inventor Data Base\Assemblies\76 Series\76-2450-65-CU.idw

UNLESS OTHERWISE SPECIFIED, PHOENIX WORKMANSHIP STANDARDS APPLY DIMENSIONS IN INCHES OR (METRIC)

DO NOT SCALE PRINTS
 TOLERANCES ARE:
 FRACTIONS: ± 1/64
 DECIMALS: .XX ± .01
 .XXX ± .003
 ANGLES: ± 1/2°

32√

APPROVALS	DATE
DRAWN JEM	5/14/2019
CHECKED RMB	5/14/2019
QA	
MFG	
ENGINEER JEM	5/14/2019
APPROVED RMB	5/14/2019

The **PHOENIX** Company of Chicago, Inc.

22 GREAT HILL RD., NAUGATUCK, CT 06770
 WWW.PHOENIXOFCHICAGO.COM
 PHONE: (800) 323-9562 FAX:(630) 206-1801

TITLE
75 OHM, PkZ® HERMETIC RIGHT ANGLE PLUG, PRINTED CIRCUIT MOUNT

SIZE	FSCM	DWG NO	REV	PLATING OPT.
B	58167	76-2450-65	B	A
SCALE	2.5 : 1	F.S.R. #	SHEET	1 OF 1