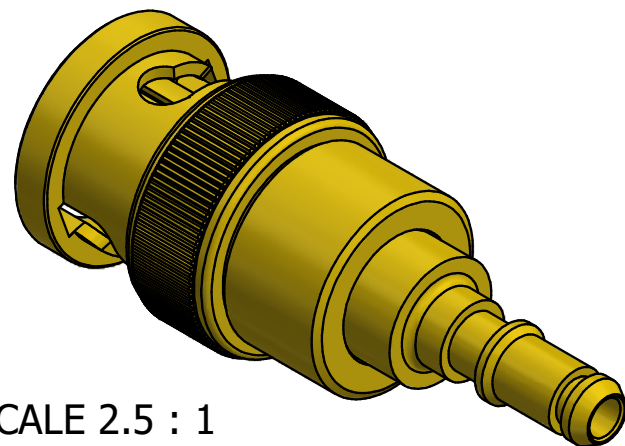


- NOTES:
1. SPECIFICATIONS PER IDS-76 (PkZ® INTERFACE) AND IDS-47 (BNC INTERFACE).
 2. FREQUENCY RANGE: DC TO 2 GHz.



SCALE 2.5 : 1

<table border="1"> <tr> <td>B</td> <td>ECN 12207</td> <td>8/31/15</td> <td>RMB</td> </tr> <tr> <td>A</td> <td>ECN 11931</td> <td>7/11/14</td> <td>JEM</td> </tr> <tr> <td>REV.</td> <td>DESCRIPTION</td> <td>DATE</td> <td>BY</td> </tr> </table>				B	ECN 12207	8/31/15	RMB	A	ECN 11931	7/11/14	JEM	REV.	DESCRIPTION	DATE	BY	<p>This drawing embodies a proprietary design of The Phoenix Company of Chicago, Inc., Naugatuck, CT 06770. All design, manufacturing, reproduction, use, sale, and other rights regarding the same are expressly reserved. The information in this drawing may be covered completely or in part by patents and/or patents pending.</p>		<p>WARNING - THIS DOCUMENT CONTAINS TECHNICAL DATA WHOSE EXPORT IS RESTRICTED BY THE ARMS EXPORT CONTROL ACT (TITLE 22, U.S.C., SEC 2751, ET. SEQ.) OR THE EXPORT ADMINISTRATION ACT OF 1979, AS AMENDED, TITLE 50, U.S.C., APP 2401 ET SEQ. VIOLATIONS OF THESE EXPORT LAWS ARE SUBJECT TO SEVERE CRIMINAL PENALTIES. DISSEMINATE IN ACCORDANCE WITH PROVISIONS OF DOD DIRECTIVE 5230.25.</p>		Filename: ver2\Autodesk Inventor Data Base\Adaptors\7647\7647-0000-00-CU.idw		<p>The PHOENIX Company of Chicago, Inc. 22 GREAT HILL RD., NAUGATUCK, CT 06770 WWW.PHOENIXOFCHICAGO.COM PHONE: (800) 323-9562 FAX:(630) 206-1801</p>	
				B	ECN 12207	8/31/15	RMB																
A	ECN 11931	7/11/14	JEM																				
REV.	DESCRIPTION	DATE	BY																				
UNLESS OTHERWISE SPECIFIED, PHOENIX WORKMANSHIP STANDARDS APPLY DIMENSIONS IN INCHES OR (METRIC)		APPROVALS	DATE																				
DO NOT SCALE PRINTS		DRAWN	BK	7/9/2014	TITLE 75 OHM, ADAPTOR, PkZ® PLUG TO BNC PLUG		SIZE	FSCM	DWG NO	REV	PLATING OPT.												
TOLERANCES ARE: FRACTIONS: ± 1/64 DECIMALS: .XX ± .01 .XXX ± .003 ANGLES: ± 1/2°		CHECKED	JEM	7/9/2014			B	58167	7647-0000-00	B	G, P												
APPROVED		ENGINEER	BK	7/9/2014	SCALE	2.5 : 1	F.S.R. #	SHEET	1 OF 1														
APPROVED		MFG	JEM	7/11/2014																			