

4

3

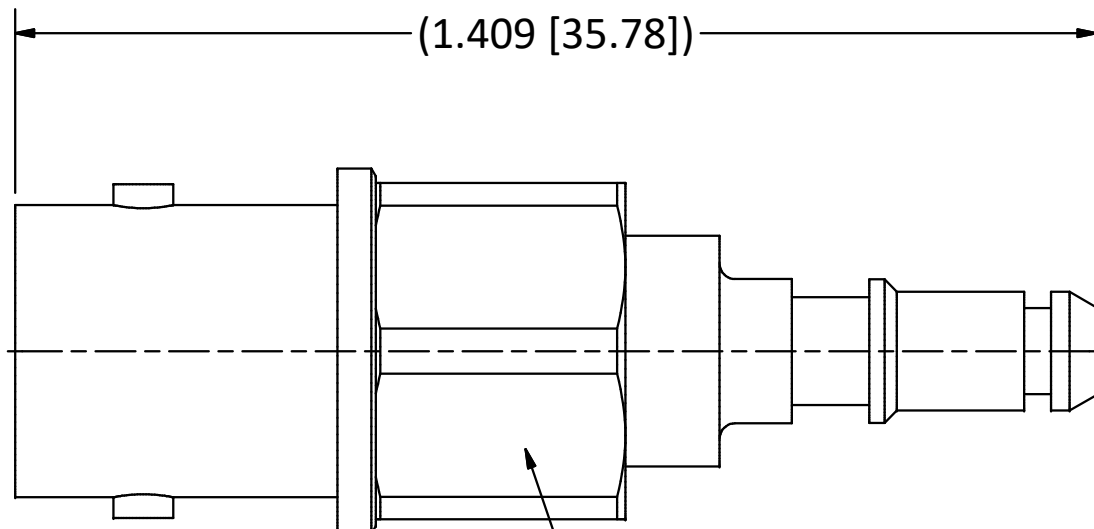
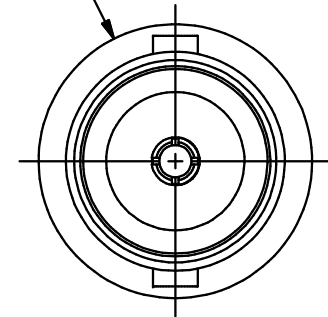
2

1

(Ø.475 [Ø12.07])

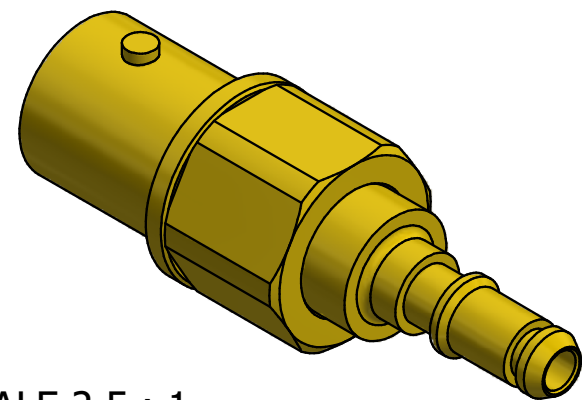
(1.409 [35.78])

.437 [11.10] HEX



NOTES:

- 1. SPECIFICATIONS PER IDS-76 (PkZ® INTERFACE) AND IDS-47 (BNC INTERFACE).
- 2. FREQUENCY RANGE: DC TO 2 GHz.



SCALE 2.5 : 1

<p>This drawing embodies a proprietary design of The Phoenix Company of Chicago, Inc., Naugatuck, CT 06770. All design, manufacturing, reproduction, use, sale, and other rights regarding the same are expressly reserved. The information in this drawing may be covered completely or in part by patents and/or patents pending.</p>				<p>WARNING - THIS DOCUMENT CONTAINS TECHNICAL DATA WHOSE EXPORT IS RESTRICTED BY THE ARMS EXPORT CONTROL ACT (TITLE 22, U.S.C., SEC 2751, ET. SEQ.) OR THE EXPORT ADMINISTRATION ACT OF 1979, AS AMENDED, TITLE 50, U.S.C., APP 2401 ET SEQ. VIOLATIONS OF THESE EXPORT LAWS ARE SUBJECT TO SEVERE CRIMINAL PENALTIES. DISSEMINATE IN ACCORDANCE WITH PROVISIONS OF DOD DIRECTIVE 5230.25.</p>		<p>Filename: ver2\Autodesk Inventor Data Base\Adaptors\7647\7647-0100-00-CU.idw</p>		<p>The PHOENIX Company of Chicago, Inc. 22 GREAT HILL RD., NAUGATUCK, CT 06770 WWW.PHOENIXOFCHICAGO.COM PHONE: (800) 323-9562 FAX:(630) 206-1801</p>																									
						<p>UNLESS OTHERWISE SPECIFIED, PHOENIX WORKMANSHIP STANDARDS APPLY DIMENSIONS IN INCHES OR (METRIC)</p> <p>DO NOT SCALE PRINTS</p> <p>TOLERANCES ARE: FRACTIONS: ± 1/64 DECIMALS: .XX ± .01 .XXX ± .003 ANGLES: ± 1/2°</p>						<table border="1"> <thead> <tr> <th>APPROVALS</th> <th>DATE</th> </tr> </thead> <tbody> <tr> <td>DRAWN BK</td> <td>7/9/2014</td> </tr> <tr> <td>CHECKED JEM</td> <td>7/9/2014</td> </tr> <tr> <td>QA</td> <td></td> </tr> <tr> <td>MFG</td> <td></td> </tr> <tr> <td>ENGINEER BK</td> <td>7/9/2014</td> </tr> <tr> <td>APPROVED JEM</td> <td>7/9/2014</td> </tr> </tbody> </table>		APPROVALS	DATE	DRAWN BK	7/9/2014	CHECKED JEM	7/9/2014	QA		MFG		ENGINEER BK	7/9/2014	APPROVED JEM	7/9/2014	<p>TITLE 75 OHM, ADAPTOR, PkZ® PLUG TO BNC RECEPTACLE</p>					
APPROVALS	DATE																																
DRAWN BK	7/9/2014																																
CHECKED JEM	7/9/2014																																
QA																																	
MFG																																	
ENGINEER BK	7/9/2014																																
APPROVED JEM	7/9/2014																																
<table border="1"> <thead> <tr> <th>REV.</th> <th>DESCRIPTION</th> <th>DATE</th> <th>BY</th> </tr> </thead> <tbody> <tr> <td>A</td> <td>ECN 11931</td> <td>7/11/14</td> <td>JEM</td> </tr> </tbody> </table>		REV.	DESCRIPTION	DATE	BY	A	ECN 11931	7/11/14	JEM	<p>32√</p>		<table border="1"> <thead> <tr> <th>SIZE</th> <th>FSCM</th> <th>DWG NO</th> <th>REV</th> <th>PLATING OPT.</th> </tr> </thead> <tbody> <tr> <td>B</td> <td>58167</td> <td>7647-0100-00</td> <td>A</td> <td>G, P</td> </tr> </tbody> </table>		SIZE	FSCM	DWG NO	REV	PLATING OPT.	B	58167	7647-0100-00	A	G, P	<table border="1"> <thead> <tr> <th>SCALE</th> <th>F.S.R. #</th> <th>SHEET</th> <th>OF</th> </tr> </thead> <tbody> <tr> <td>2.5 : 1</td> <td></td> <td>1</td> <td>1</td> </tr> </tbody> </table>		SCALE	F.S.R. #	SHEET	OF	2.5 : 1		1	1
REV.	DESCRIPTION	DATE	BY																														
A	ECN 11931	7/11/14	JEM																														
SIZE	FSCM	DWG NO	REV	PLATING OPT.																													
B	58167	7647-0100-00	A	G, P																													
SCALE	F.S.R. #	SHEET	OF																														
2.5 : 1		1	1																														

4

3

2

1