

4

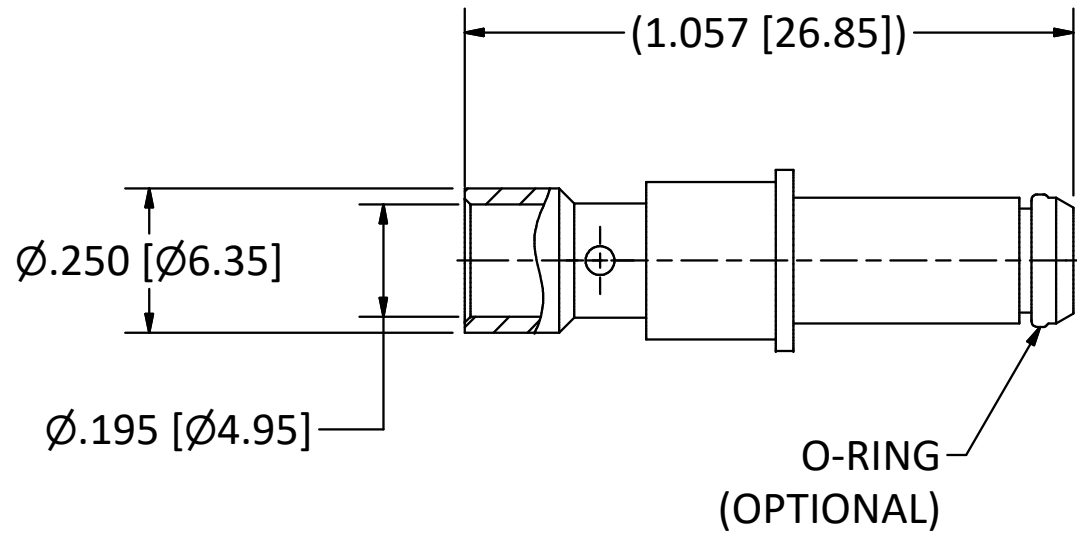
3

2

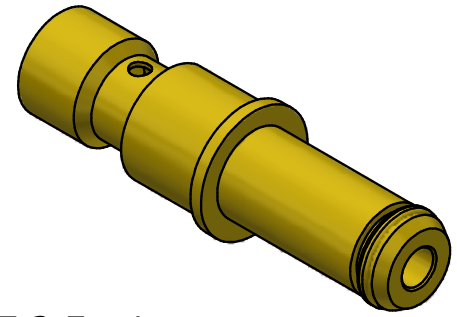
1

B

B



NOTES:
 1. SPECIFICATIONS PER IDS-78.
 2. ACCOMMODATES INSULATED WIRE 1801-C CABLE.
HOUSING: MIL-C-38999 SERIES I-IV AND MIGHTY MOUSE SERIES 80, SIZE 8 CAVITY.



SCALE 2.5 : 1

4

3

2

1

A

A

REV	DESCRIPTION	DATE	BY
E	PER ECN 13494	9/16/19	JEM
C	PER ECN 12755	1/3/18	JEM
B	PER ECN 5487	6/6/00	HN
A	REL ECN 5473	5/15/00	HN
02	PROTOTYPE	3/2/00	
01	PROTOTYPE	3/2/00	

This drawing embodies a proprietary design of The Phoenix Company of Chicago, Inc., Naugatuck, CT 06770. All design, manufacturing, reproduction, use, sale, and other rights regarding the same are expressly reserved. The information in this drawing may be covered completely or in part by patents and/or patents pending.

WARNING - THIS DOCUMENT CONTAINS TECHNICAL DATA WHOSE EXPORT IS RESTRICTED BY THE ARMS EXPORT CONTROL ACT (TITLE 22, U.S.C., SEC 2751, ET. SEQ.) OR THE EXPORT ADMINISTRATION ACT OF 1979, AS AMENDED, TITLE 50, U.S.C., APP 2401 ET SEQ. VIOLATIONS OF THESE EXPORT LAWS ARE SUBJECT TO SEVERE CRIMINAL PENALTIES. DISSEMINATE IN ACCORDANCE WITH PROVISIONS OF DOD DIRECTIVE 5230.25.

Filename: \Autodesk Inventor Data Base\Assemblies\78 Series\78-1080-0670-CU-Layout for C Sized Drawing.idw		
UNLESS OTHERWISE SPECIFIED, PHOENIX WORKMANSHIP STANDARDS APPLY DIMENSIONS IN INCHES OR (METRIC) DO NOT SCALE PRINTS TOLERANCES ARE: FRACTIONS: $\pm 1/64$ DECIMALS: $.XX \pm .01$ $.XXX \pm .003$ ANGLES: $\pm 1/2'$	APPROVALS	DATE
	DRAWN JEM	3/2/2000
	CHECKED HN	3/2/2000
	QA	
	MFG	
	ENGINEER JEM	3/2/2000
APPROVED HN	3/2/2000	

PART NUMBER	O-RING OPTIONS
78-0020-1481	NONE
78-0025-1481	GROUNDING RING

The PHOENIX Company of Chicago, Inc.
 22 GREAT HILL RD., NAUGATUCK, CT 06770
 WWW.PHOENIXOFCHICAGO.COM
 PHONE: (800) 323-9562 FAX:(630) 206-1801

TITLE
PkZ® PLUG, DIRECT SOLDER TERMINATION

SIZE B	FSCM 58167	DWG NO 78-0020-1481	REV E	PLATING OPT. A, B, C, D
SCALE 3 : 1		F.S.R. #	SHEET 1 OF 1	