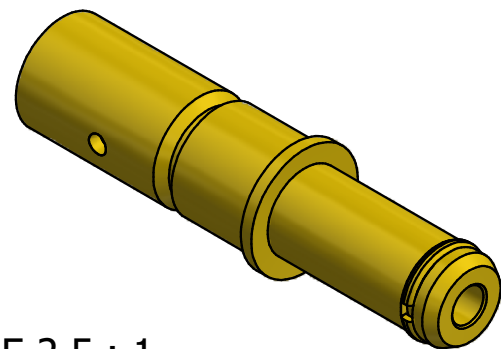


NOTES:

1. SPECIFICATIONS PER IDS-78.
2. ACCOMMODATES INSULATED WIRE 2301-C CABLE.
3. ELECTRICAL RESULTS WHEN MATED TO 78 SERIES PKZ® RECEPTACLE:
 - a) FREQUENCY: DC TO 18 GHz.
 - b) VSWR: 1.30 : 1

HOUSING: MIL-C-38999 SERIES I-IV AND MIGHTY MOUSE SERIES 80, SIZE 8 CAVITY.

PART NUMBER	O-RING OPTIONS
78-0020-1911	NONE
78-0025-1911	GROUNDING RING



SCALE 2.5 : 1

REV	DESCRIPTION	DATE	BY
F	PER EC 14098	2/11/2022	SPS
E	PER ECN 13851	9/22/20	JEM
D	PER ECN 13497	9/16/19	JEM
C	PER ECN 13091	9/11/18	JEM
B	PER ECN 5487	6/6/00	HN
A	PER ECN 5473	5/15/00	HN
02	PROTOTYPE	4/10/00	-
01	PROTOTYPE	3/6/00	-

This drawing embodies a proprietary design of The Phoenix Company of Chicago, Inc., Naugatuck, CT 06770. All design, manufacturing, reproduction, use, sale, and other rights regarding the same are expressly reserved. The information in this drawing may be covered completely or in part by patents and/or patents pending.

WARNING - THIS DOCUMENT CONTAINS TECHNICAL DATA WHOSE EXPORT IS RESTRICTED BY THE ARMS EXPORT CONTROL ACT (TITLE 22, U.S.C., SEC 2751, ET. SEQ.) OR THE EXPORT ADMINISTRATION ACT OF 1979, AS AMENDED, TITLE 50, U.S.C., APP 2401 ET SEQ. VIOLATIONS OF THESE EXPORT LAWS ARE SUBJECT TO SEVERE CRIMINAL PENALTIES. DISSEMINATE IN ACCORDANCE WITH PROVISIONS OF DOD DIRECTIVE 5230.25.

Filename: \\Autodesk Inventor Data Base\Assemblies\78 Series\78-1080-0670-CU-Layout for C Sized Drawing.idw

UNLESS OTHERWISE SPECIFIED, PHOENIX WORKMANSHIP STANDARDS APPLY DIMENSIONS IN INCHES OR (METRIC)

DO NOT SCALE PRINTS
TOLERANCES ARE:
FRACTIONS: ± 1/64
DECIMALS: .XX ± .01
.XXX ± .003
ANGLES: ± 1/2°



APPROVALS	DATE
DRAWN JEM	5/15/2000
CHECKED HN	5/15/2000
QA	
MFG	
ENGINEER JEM	5/15/2000
APPROVED HN	5/15/2000

The PHOENIX Company of Chicago, Inc.

22 GREAT HILL RD., NAUGATUCK, CT 06770
WWW.PHOENIXOFCHICAGO.COM
PHONE: (800) 323-9562 FAX:(630) 206-1801

TITLE
PKZ® PLUG, DIRECT SOLDER TERMINATION

SIZE	FSCM	DWG NO	REV	PLATING OPT.
B	58167	78-002X-1911	F	A, B, C, D
SCALE	3 : 1	F.S.R. #	SHEET	1 OF 1