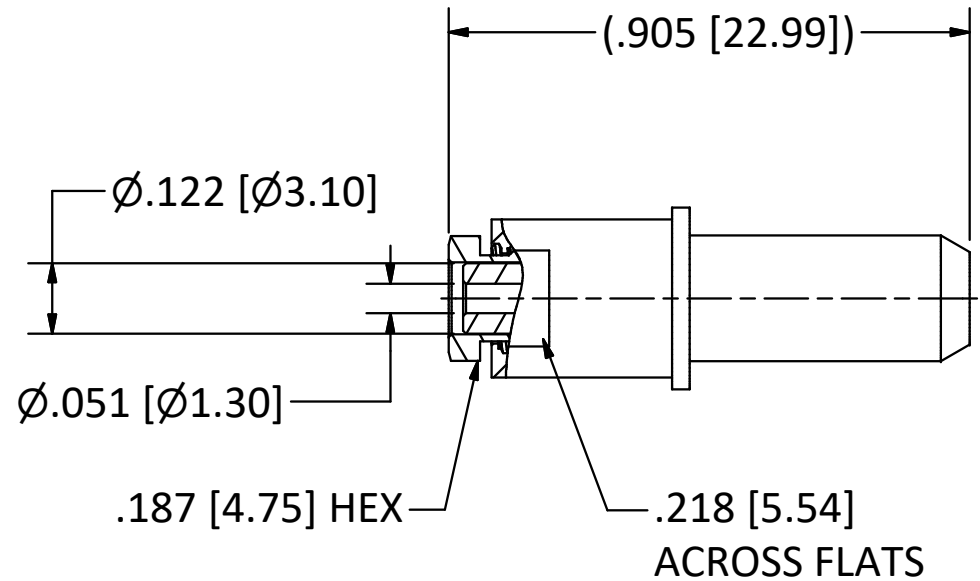
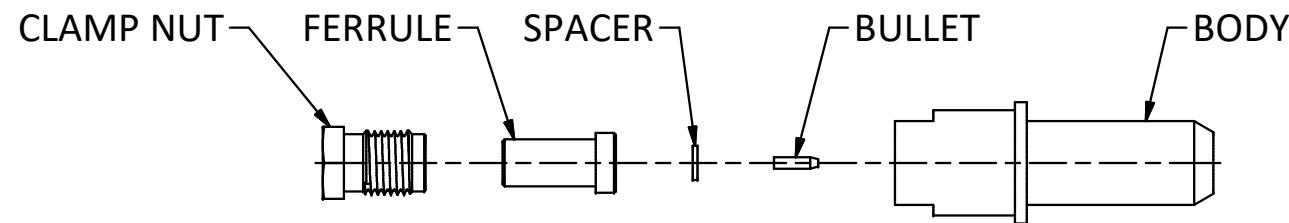


4

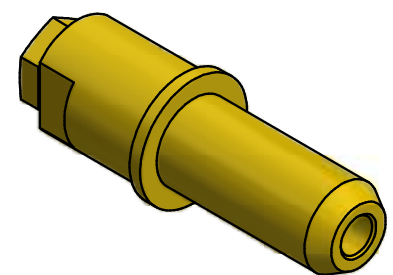
3

2

1



- NOTES:
1. SPECIFICATIONS PER IDS-78.
 2. BULLET, CLAMP NUT, FERRULE, AND SPACER SHIPPED LOOSE.
 3. ACCOMMODATES M17/151 (.047 SEMI-RIGID) OR EQUIVALENT FLEXIBLE CABLE.
- HOUSING:** MIL-C-38999 SERIES I-IV AND MIGHTY MOUSE SERIES 80, SIZE 8 CAVITY.



SCALE 2.5 : 1

<p>THE INFORMATION AND DESIGNS DISCLOSED IN THIS DOCUMENT ARE CONFIDENTIAL AND/OR PROPRIETARY TO THE PHOENIX COMPANY OF CHICAGO INC. AND MAY NOT BE USED FOR MANUFACTURING, REPRODUCED, DISCLOSED TO OTHERS OR FOR ANY OTHER PURPOSE WITHOUT THE EXPRESS WRITTEN CONSENT OF THE PHOENIX COMPANY OF CHICAGO INC.</p>				<p>WARNING - THIS DOCUMENT CONTAINS TECHNICAL DATA WHOSE EXPORT IS RESTRICTED BY THE ARMS EXPORT CONTROL ACT (TITLE 22, U.S.C., SEC 2751, ET. SEQ.) OR THE EXPORT ADMINISTRATION ACT OF 1979, AS AMENDED, TITLE 50, U.S.C., APP 2401 ET SEQ. VIOLATIONS OF THESE EXPORT LAWS ARE SUBJECT TO SEVERE CRIMINAL PENALTIES. DISSEMINATE IN ACCORDANCE WITH PROVISIONS OF DOD DIRECTIVE 5230.25.</p>				<p>Filename: ver2\Autodesk Inventor Data Base\Assemblies\78 Series\78-0030-0470-CU.idw</p>				<p>The PHOENIX Company of Chicago, Inc. 22 GREAT HILL RD., NAUGATUCK, CT 06770 WWW.PHOENIXOFCHICAGO.COM PHONE: (800) 323-9562 FAX:(630) 206-1801</p>																																	
<table border="1"> <tr> <td>C</td> <td>PER ECN 13505</td> <td>11/5/19</td> <td>BGW</td> </tr> <tr> <td>B</td> <td>PER ECN 11018</td> <td>6/28/11</td> <td>JEM</td> </tr> <tr> <td>A</td> <td>PER ECN 6333</td> <td>11/15/01</td> <td>HN</td> </tr> <tr> <td>REV</td> <td>DESCRIPTION</td> <td>DATE</td> <td>BY</td> </tr> </table>				C	PER ECN 13505	11/5/19	BGW	B	PER ECN 11018	6/28/11	JEM	A	PER ECN 6333	11/15/01	HN	REV	DESCRIPTION	DATE	BY	<p>UNLESS OTHERWISE SPECIFIED, PHOENIX WORKMANSHIP STANDARDS APPLY DIMENSIONS IN INCHES OR (METRIC)</p> <p>DO NOT SCALE PRINTS</p> <p>TOLERANCES ARE: FRACTIONS: ± 1/64 DECIMALS: .XX ± .01 .XXX ± .003 ANGLES: ± 1/2°</p>				<table border="1"> <tr> <th>APPROVALS</th> <th>DATE</th> </tr> <tr> <td>DRAWN JSV</td> <td>11/15/01</td> </tr> <tr> <td>CHECKED HN</td> <td>11/15/01</td> </tr> <tr> <td>QA</td> <td></td> </tr> <tr> <td>MFG</td> <td></td> </tr> <tr> <td>ENGINEER JV</td> <td>11/15/01</td> </tr> <tr> <td>APPROVED HN</td> <td>11/15/01</td> </tr> </table>				APPROVALS	DATE	DRAWN JSV	11/15/01	CHECKED HN	11/15/01	QA		MFG		ENGINEER JV	11/15/01	APPROVED HN	11/15/01	<p>TITLE PKZ® PLUG, SOLDER/CLAMP TERMINATION</p>			
C	PER ECN 13505	11/5/19	BGW																																										
B	PER ECN 11018	6/28/11	JEM																																										
A	PER ECN 6333	11/15/01	HN																																										
REV	DESCRIPTION	DATE	BY																																										
APPROVALS	DATE																																												
DRAWN JSV	11/15/01																																												
CHECKED HN	11/15/01																																												
QA																																													
MFG																																													
ENGINEER JV	11/15/01																																												
APPROVED HN	11/15/01																																												
				<table border="1"> <tr> <td>SIZE B</td> <td>FSCM 58167</td> <td>DWG NO 78-0030-0470</td> <td>REV C</td> <td>PLATING OPT. A, B, C, D</td> </tr> </table>				SIZE B	FSCM 58167	DWG NO 78-0030-0470	REV C	PLATING OPT. A, B, C, D	<table border="1"> <tr> <td>SCALE</td> <td>F.S.R. #</td> <td>SHEET 1 OF 1</td> </tr> </table>				SCALE	F.S.R. #	SHEET 1 OF 1																										
SIZE B	FSCM 58167	DWG NO 78-0030-0470	REV C	PLATING OPT. A, B, C, D																																									
SCALE	F.S.R. #	SHEET 1 OF 1																																											

4

3

2

1