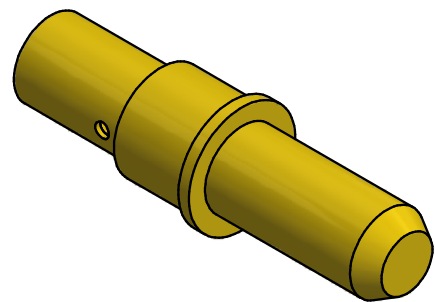


NOTES:

- 1. SPECIFICATIONS PER IDS-78.
- 2. ACCOMMODATES 8 AWG STRANDED WIRE.

HOUSING: MIL-C-38999 SERIES I-IV AND MIGHTY MOUSE SERIES 80, SIZE 8 CAVITY.



SCALE 2.5 : 1

<table border="1"> <tr> <td>B</td> <td>PER ECN 13290</td> <td>4/15/2019</td> <td>JEM</td> </tr> <tr> <td>A</td> <td>REL PER ECN 4608</td> <td>8/3/98</td> <td>HN</td> </tr> <tr> <td>01</td> <td>PRELIMINARY</td> <td>7/20/98</td> <td>HN</td> </tr> <tr> <td>REV</td> <td>DESCRIPTION</td> <td>DATE</td> <td>BY</td> </tr> </table>				B	PER ECN 13290	4/15/2019	JEM	A	REL PER ECN 4608	8/3/98	HN	01	PRELIMINARY	7/20/98	HN	REV	DESCRIPTION	DATE	BY	<p>THE INFORMATION AND DESIGNS DISCLOSED IN THIS DOCUMENT ARE CONFIDENTIAL AND/OR PROPRIETARY TO THE PHOENIX COMPANY OF CHICAGO INC. AND MAY NOT BE USED FOR MANUFACTURING, REPRODUCED, DISCLOSED TO OTHERS OR FOR ANY OTHER PURPOSE WITHOUT THE EXPRESS WRITTEN CONSENT OF THE PHOENIX COMPANY OF CHICAGO INC.</p>	<p>WARNING - THIS DOCUMENT CONTAINS TECHNICAL DATA WHOSE EXPORT IS RESTRICTED BY THE ARMS EXPORT CONTROL ACT (TITLE 22, U.S.C., SEC 2751, ET. SEQ.) OR THE EXPORT ADMINISTRATION ACT OF 1979, AS AMENDED, TITLE 50, U.S.C., APP 2401 ET SEQ. VIOLATIONS OF THESE EXPORT LAWS ARE SUBJECT TO SEVERE CRIMINAL PENALTIES. DISSEMINATE IN ACCORDANCE WITH PROVISIONS OF DOD DIRECTIVE 5230.25.</p>	Filename: \\Autodesk Inventor Data Base\Assemblies\78 Series\78-1080-0670-CU-Layout for C Sized Drawing.idw		<p>The PHOENIX Company of Chicago, Inc. 22 GREAT HILL RD., NAUGATUCK, CT 06770 WWW.PHOENIXOFCHICAGO.COM PHONE: (800) 323-9562 FAX:(630) 206-1801</p>	
				B	PER ECN 13290	4/15/2019	JEM																		
A	REL PER ECN 4608	8/3/98	HN																						
01	PRELIMINARY	7/20/98	HN																						
REV	DESCRIPTION	DATE	BY																						
UNLESS OTHERWISE SPECIFIED, PHOENIX WORKMANSHIP STANDARDS APPLY DIMENSIONS IN INCHES OR (METRIC) DO NOT SCALE PRINTS TOLERANCES ARE: FRACTIONS: ± 1/64 DECIMALS: .XX ± .01 .XXX ± .003 ANGLES: ± 1/2°		<table border="1"> <tr> <th>APPROVALS</th> <th>DATE</th> </tr> <tr> <td>DRAWN JEM</td> <td>08/03/98</td> </tr> <tr> <td>CHECKED HN</td> <td>08/03/98</td> </tr> <tr> <td>QA</td> <td></td> </tr> <tr> <td>MFG</td> <td></td> </tr> <tr> <td>ENGINEER JEM</td> <td>08/03/98</td> </tr> <tr> <td>APPROVED HN</td> <td>08/03/98</td> </tr> </table>	APPROVALS	DATE	DRAWN JEM	08/03/98	CHECKED HN	08/03/98	QA		MFG		ENGINEER JEM	08/03/98	APPROVED HN	08/03/98	TITLE <p style="text-align: center;">HIGH POWER PLUG, CRIMP TERMINATION</p>								
APPROVALS	DATE																								
DRAWN JEM	08/03/98																								
CHECKED HN	08/03/98																								
QA																									
MFG																									
ENGINEER JEM	08/03/98																								
APPROVED HN	08/03/98																								
				SIZE B	FSCM 58167	DWG NO 78-0080-0001	REV B	PLATING OPT. A, B, C, D	SCALE	F.S.R. #	SHEET 1 OF 1														