

4

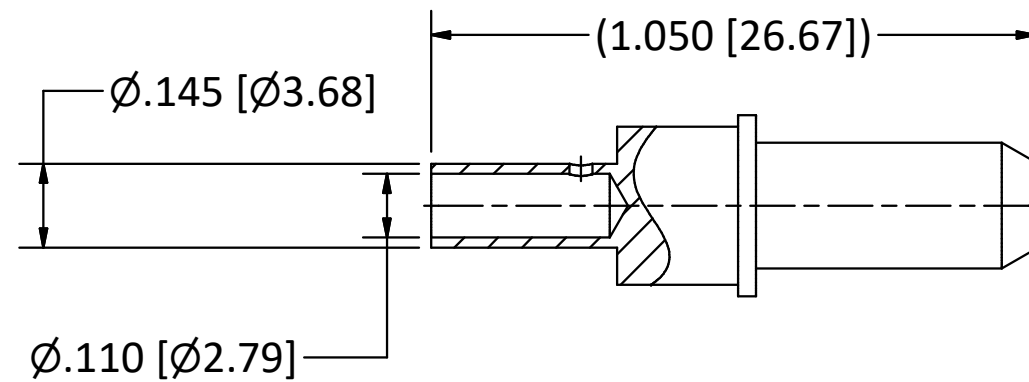
3

2

1

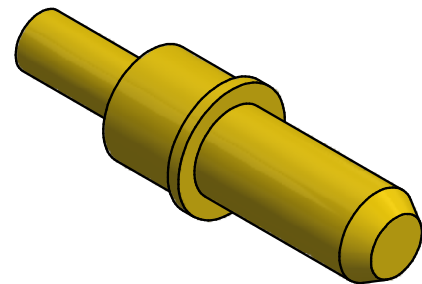
B

B



NOTES:

- 1. SPECIFICATIONS PER IDS-78.
- 2. ACCOMMODATES 12 OR 14 AWG STRANDED WIRE.
- HOUSING:** MIL-C-38999 SERIES I-IV AND MIGHTY MOUSE SERIES 80, SIZE 8 CAVITY.



SCALE 2.5 : 1

4

3

2

1

A

A

<p>This drawing embodies a proprietary design of The Phoenix Company of Chicago, Inc., Naugatuck, CT 06770. All design, manufacturing, reproduction, use, sale, and other rights regarding the same are expressly reserved. The information in this drawing may be covered completely or in part by patents and/or patents pending.</p>				<p>WARNING - THIS DOCUMENT CONTAINS TECHNICAL DATA WHOSE EXPORT IS RESTRICTED BY THE ARMS EXPORT CONTROL ACT (TITLE 22, U.S.C., SEC 2751, ET. SEQ.) OR THE EXPORT ADMINISTRATION ACT OF 1979, AS AMENDED, TITLE 50, U.S.C., APP 2401 ET SEQ. VIOLATIONS OF THESE EXPORT LAWS ARE SUBJECT TO SEVERE CRIMINAL PENALTIES. DISSEMINATE IN ACCORDANCE WITH PROVISIONS OF DOD DIRECTIVE 5230.25.</p>		<p>Filename: \\Autodesk Inventor Data Base\Assemblies\78 Series\78-1080-0670-CU-Layout for C Sized Drawing.idw</p>		<p><b>The PHOENIX Company of Chicago, Inc.</b> 22 GREAT HILL RD., NAUGATUCK, CT 06770 WWW.PHOENIXOFCHICAGO.COM PHONE: (800) 323-9562 FAX:(630) 206-1801</p>																			
						<p>UNLESS OTHERWISE SPECIFIED, PHOENIX WORKMANSHIP STANDARDS APPLY DIMENSIONS IN INCHES OR (METRIC)</p> <p>DO NOT SCALE PRINTS</p> <p>TOLERANCES ARE: FRACTIONS: <math>\pm 1/64</math> DECIMALS: <math>.XX \pm .01</math> <math>.XXX \pm .003</math> ANGLES: <math>\pm 1/2^\circ</math></p>						<table border="1"> <thead> <tr> <th>APPROVALS</th> <th>DATE</th> </tr> </thead> <tbody> <tr> <td>DRAWN CA</td> <td>9/26/2019</td> </tr> <tr> <td>CHECKED JEM</td> <td>9/26/2019</td> </tr> <tr> <td>QA</td> <td></td> </tr> <tr> <td>MFG</td> <td></td> </tr> <tr> <td>ENGINEER CA</td> <td>9/26/2019</td> </tr> <tr> <td>APPROVED JEM</td> <td>9/26/2019</td> </tr> </tbody> </table>		APPROVALS	DATE	DRAWN CA	9/26/2019	CHECKED JEM	9/26/2019	QA		MFG		ENGINEER CA	9/26/2019	APPROVED JEM	9/26/2019
APPROVALS	DATE																										
DRAWN CA	9/26/2019																										
CHECKED JEM	9/26/2019																										
QA																											
MFG																											
ENGINEER CA	9/26/2019																										
APPROVED JEM	9/26/2019																										
<table border="1"> <thead> <tr> <th>REV</th> <th>DESCRIPTION</th> <th>DATE</th> <th>BY</th> </tr> </thead> <tbody> <tr> <td>B</td> <td>PER ECN 13515</td> <td>9/27/19</td> <td>JEM</td> </tr> <tr> <td>A</td> <td>PER ECN 4608</td> <td>8/3/98</td> <td>HN</td> </tr> <tr> <td>01</td> <td>PROTOTYPE</td> <td>7/28/98</td> <td>HN</td> </tr> <tr> <td>REV</td> <td>DESCRIPTION</td> <td>DATE</td> <td>BY</td> </tr> </tbody> </table>		REV	DESCRIPTION	DATE	BY	B	PER ECN 13515	9/27/19	JEM	A	PER ECN 4608	8/3/98	HN	01	PROTOTYPE	7/28/98	HN	REV	DESCRIPTION	DATE	BY	<p>SIZE <b>B</b></p> <p>FSCM 58167</p>		<p>DWG NO <b>78-0080-0002</b></p>		<p>REV B</p> <p>PLATING OPT. A, B, C, D</p>	
REV	DESCRIPTION	DATE	BY																								
B	PER ECN 13515	9/27/19	JEM																								
A	PER ECN 4608	8/3/98	HN																								
01	PROTOTYPE	7/28/98	HN																								
REV	DESCRIPTION	DATE	BY																								
<p>SCALE 3 : 1</p>		<p>F.S.R. #</p>		<p>SHEET 1 OF 1</p>																							