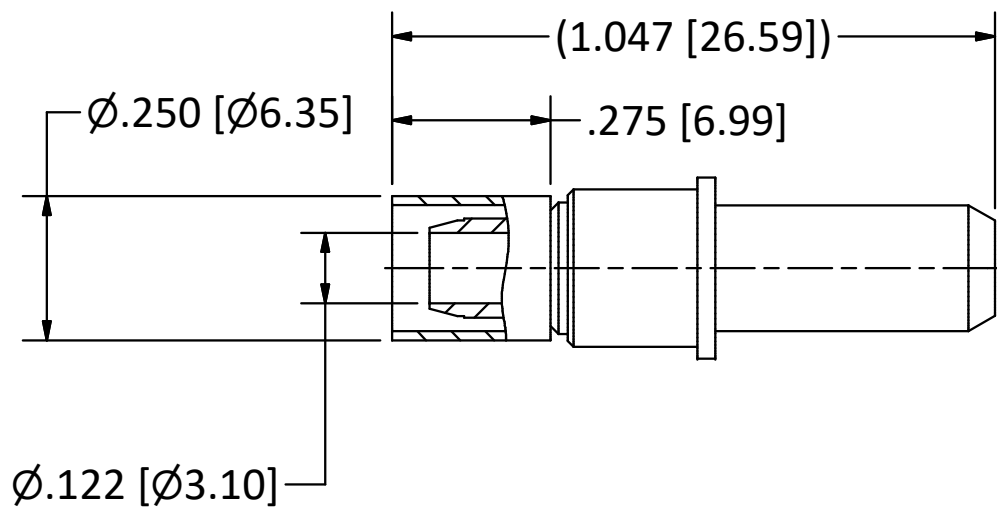
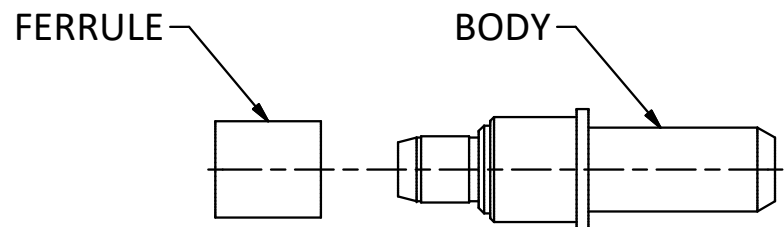


4

3

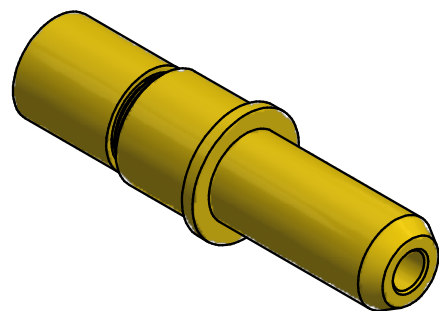
2

1



NOTES:

- 1. SPECIFICATIONS PER IDS-78.
 - 2. FERRULE SHIPPED LOOSE.
 - 3. ACCOMMODATES RG-142 OR RG-400 CABLE.
 - 4. CRIMP WITH .213 HEX Y-197 DIE SET (M22520/5-05).
- HOUSING:** MIL-C-38999 SERIES I-IV AND MIGHTY MOUSE SERIES 80, SIZE 8 CAVITY.



SCALE 2.5 : 1

<p>This drawing embodies a proprietary design of The Phoenix Company of Chicago, Inc., Naugatuck, CT 06770. All design, manufacturing, reproduction, use, sale, and other rights regarding the same are expressly reserved. The information in this drawing may be covered completely or in part by patents and/or patents pending.</p>				<p>WARNING - THIS DOCUMENT CONTAINS TECHNICAL DATA WHOSE EXPORT IS RESTRICTED BY THE ARMS EXPORT CONTROL ACT (TITLE 22, U.S.C., SEC 2751, ET. SEQ.) OR THE EXPORT ADMINISTRATION ACT OF 1979, AS AMENDED, TITLE 50, U.S.C., APP 2401 ET SEQ. VIOLATIONS OF THESE EXPORT LAWS ARE SUBJECT TO SEVERE CRIMINAL PENALTIES. DISSEMINATE IN ACCORDANCE WITH PROVISIONS OF DOD DIRECTIVE 5230.25.</p>		<p>Filename: ver2\Autodesk Inventor Data Base\Assemblies\78 Series\78-0080-2201-CU.idw</p>		<p>The PHOENIX Company of Chicago, Inc. 22 GREAT HILL RD., NAUGATUCK, CT 06770 WWW.PHOENIXOFCHICAGO.COM PHONE: (800) 323-9562 FAX:(630) 206-1801</p>																
						<p>UNLESS OTHERWISE SPECIFIED, PHOENIX WORKMANSHIP STANDARDS APPLY DIMENSIONS IN INCHES OR (METRIC)</p> <p>DO NOT SCALE PRINTS</p> <p>TOLERANCES ARE: FRACTIONS: ± 1/64 DECIMALS: .XX ± .01 .XXX ± .003 ANGLES: ± 1/2°</p>				<table border="1"> <thead> <tr> <th>APPROVALS</th> <th>DATE</th> </tr> </thead> <tbody> <tr> <td>DRAWN EK</td> <td>2/26/2009</td> </tr> <tr> <td>CHECKED JEM</td> <td>2/26/2009</td> </tr> <tr> <td>QA</td> <td></td> </tr> <tr> <td>MFG</td> <td></td> </tr> <tr> <td>ENGINEER EK</td> <td>2/26/2009</td> </tr> <tr> <td>APPROVED JEM</td> <td>2/26/2009</td> </tr> </tbody> </table>		APPROVALS	DATE	DRAWN EK	2/26/2009	CHECKED JEM	2/26/2009	QA		MFG		ENGINEER EK	2/26/2009	APPROVED JEM
APPROVALS	DATE																							
DRAWN EK	2/26/2009																							
CHECKED JEM	2/26/2009																							
QA																								
MFG																								
ENGINEER EK	2/26/2009																							
APPROVED JEM	2/26/2009																							
<table border="1"> <thead> <tr> <th>REV</th> <th>DESCRIPTION</th> <th>DATE</th> <th>BY</th> </tr> </thead> <tbody> <tr> <td>C</td> <td>PER ECN 13457</td> <td>08/16/19</td> <td>JEM</td> </tr> <tr> <td>B</td> <td>PER ECN 11420</td> <td>08/23/12</td> <td>JEM</td> </tr> <tr> <td>A</td> <td>PER ECN 9837</td> <td>03/17/09</td> <td>JEM</td> </tr> </tbody> </table>		REV	DESCRIPTION	DATE	BY	C	PER ECN 13457	08/16/19	JEM	B	PER ECN 11420	08/23/12	JEM	A	PER ECN 9837	03/17/09	JEM	<p>TITLE PkZ® PLUG, CRIMP TERMINATION</p>		<p>SIZE B</p>	<p>FSCM 58167</p>	<p>DWG NO 78-0080-2201</p>	<p>REV C</p>	<p>PLATING OPT. A, B, C, D</p>
REV	DESCRIPTION	DATE	BY																					
C	PER ECN 13457	08/16/19	JEM																					
B	PER ECN 11420	08/23/12	JEM																					
A	PER ECN 9837	03/17/09	JEM																					
		<p>SCALE 3 : 1</p>		<p>F.S.R. #</p>		<p>SHEET 1 OF 1</p>																		

4

3

2

1