

4

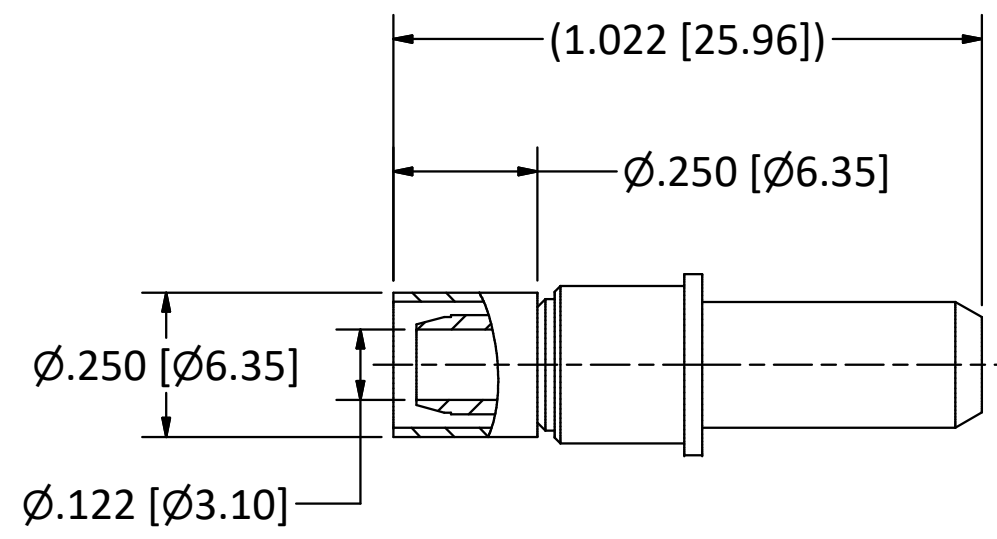
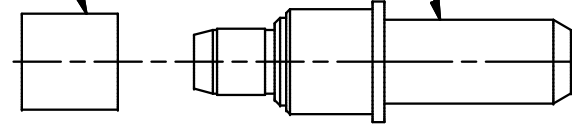
3

2

1

FURRULE

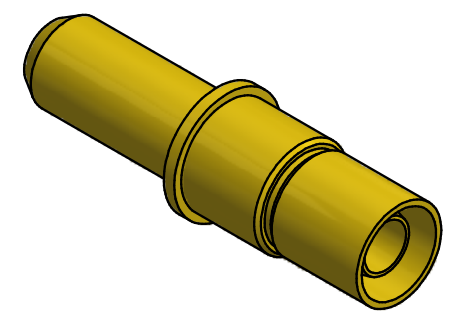
BODY



NOTES:

- 1. SPECIFICATIONS PER IDS-78
- 2. FERRULE IS SHIPPED LOOSE
- 3. ACCOMMODATES SFT-142 OR SIMILAR CABLES
- 4. CRIMP USING HEX DIE (M22520/5-02).

HOUSING: MIL-C-38999 SERIES I-IV AND MIGHTY MOUSE SERIES 80, SIZE 8 CAVITY.



SCALE 2.5 : 1

REV	DESCRIPTION	DATE	BY
D	PER ECN 13463	08/20/19	JEM
C	PER ECN 12955	05/23/18	JEM
B	PER ECN 11642	04/17/13	JEM
A	PER ECN 10901	03/22/11	JEM

This drawing embodies a proprietary design of The Phoenix Company of Chicago, Inc., Naugatuck, CT 06770. All design, manufacturing, reproduction, use, sale, and other rights regarding the same are expressly reserved. The information in this drawing may be covered completely or in part by patents and/or patents pending.

WARNING - THIS DOCUMENT CONTAINS TECHNICAL DATA WHOSE EXPORT IS RESTRICTED BY THE ARMS EXPORT CONTROL ACT (TITLE 22, U.S.C., SEC 2751, ET. SEQ.) OR THE EXPORT ADMINISTRATION ACT OF 1979, AS AMENDED, TITLE 50, U.S.C., APP 2401 ET SEQ. VIOLATIONS OF THESE EXPORT LAWS ARE SUBJECT TO SEVERE CRIMINAL PENALTIES. DISSEMINATE IN ACCORDANCE WITH PROVISIONS OF DOD DIRECTIVE 5230.25.

Filename: ver2\Autodesk Inventor Data Base\Assemblies\78 Series\78-0080-2203-CU.idw		
UNLESS OTHERWISE SPECIFIED, PHOENIX WORKMANSHIP STANDARDS APPLY DIMENSIONS IN INCHES OR (METRIC) DO NOT SCALE PRINTS TOLERANCES ARE: FRACTIONS: ± 1/64 DECIMALS: .XX ± .01 .XXX ± .003 ANGLES: ± 1/2°	APPROVALS	DATE
	DRAWN MS	9/23/2010
	CHECKED JEM	9/23/2010
	QA	
	MFG	
	ENGINEER MS	9/23/2010
APPROVED JEM	9/23/2010	

The PHOENIX Company of Chicago, Inc.
 22 GREAT HILL RD., NAUGATUCK, CT 06770
 WWW.PHOENIXOFCHICAGO.COM
 PHONE: (800) 323-9562 FAX:(630) 206-1801

TITLE
PkZ® PLUG, CRIMP TERMINATION

SIZE B	FSCM 58167	DWG NO 78-0080-2203	REV D	PLATING OPT. A, B, C, D
SCALE 3 : 1		F.S.R. #	SHEET 1 OF 1	

4

3

2

1