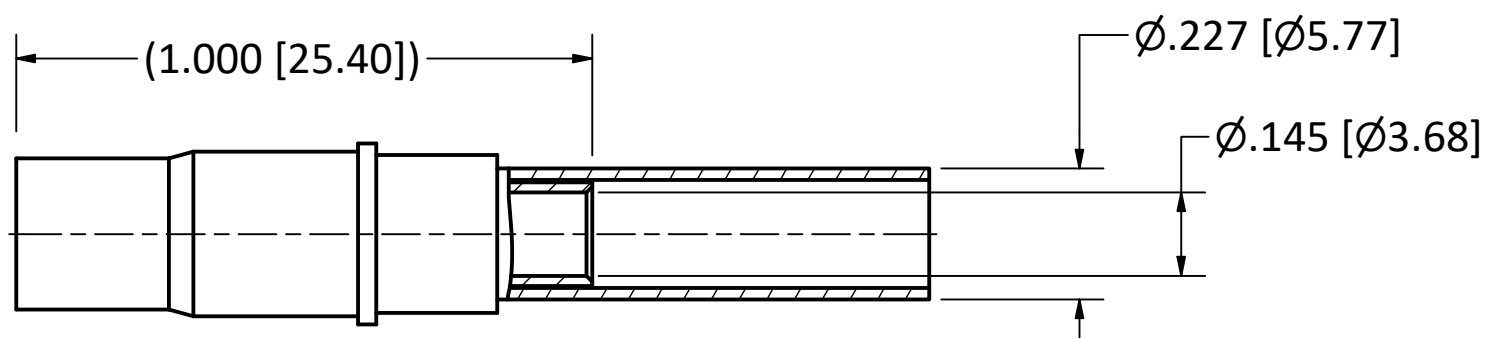
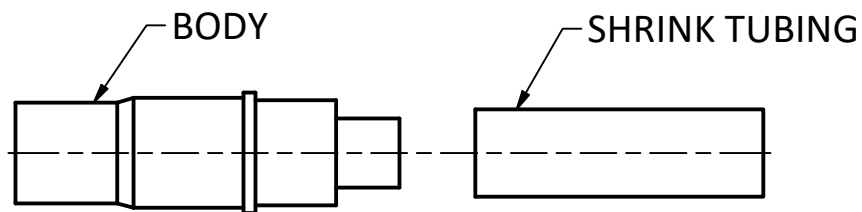


4

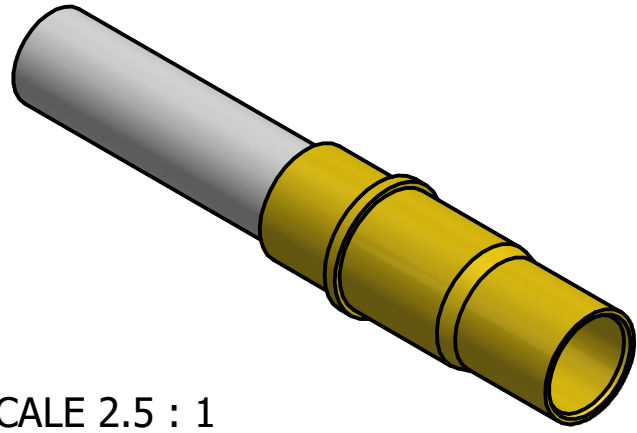
3

2

1



- NOTES:
- SPECIFICATIONS PER IDS-78.
  - SHRINK TUBE SHIPPED LOOSE.
  - ACCOMMODATES HARBOUR SS-402 CABLE.
  - ELECTRICAL RESULTS WHEN MATED TO 78 SERIES PKZ® PLUG:
    - FREQUENCY: DC TO 18 GHz.
    - VSWR: 1.50 : 1
  - HOUSING: MIL-DTL-38999 SERIES I, III, IV AND MIGHTY MOUSE SERIES 80, SIZE 8 CAVITY.
  - DOES NOT MATE WITH OTHER INDUSTRY-STANDARD SIZE 8 CONTACTS.**



SCALE 2.5 : 1

REV	DESCRIPTION	DATE	BY
E	PER ECN 14233	11/26/2024	DW
D	PER ECN 13522	10/7/2019	JEM
C	PER ECN 9686	19/09/2008	JEM
B	PER ECN 5534	7/18/2000	HN
A	REL ECN 4696	9/17/1998	HN

This drawing embodies a proprietary design of The Phoenix Company of Chicago, Inc., Naugatuck, CT 06770. All design, manufacturing, reproduction, use, sale, and other rights regarding the same are expressly reserved. The information in this drawing may be covered completely or in part by patents and/or patents pending.

WARNING - THIS DOCUMENT CONTAINS TECHNICAL DATA WHOSE EXPORT IS RESTRICTED BY THE ARMS EXPORT CONTROL ACT (TITLE 22, U.S.C., SEC 2751, ET. SEQ.) OR THE EXPORT ADMINISTRATION ACT OF 1979, AS AMENDED, TITLE 50, U.S.C., APP 2401 ET SEQ. VIOLATIONS OF THESE EXPORT LAWS ARE SUBJECT TO SEVERE CRIMINAL PENALTIES. DISSEMINATE IN ACCORDANCE WITH PROVISIONS OF DOD DIRECTIVE 5230.25.

UNLESS OTHERWISE SPECIFIED, PHOENIX WORKMANSHIP STANDARDS APPLY DIMENSIONS IN INCHES OR [METRIC]  DO NOT SCALE PRINTS  TOLERANCES ARE: FRACTIONS: ± 1/64 DECIMALS: .XX ± .01 .XXX ± .003 ANGLES: ± 1/2°	APPROVALS	DATE
	DRAWN CA	10/4/2019
	CHECKED JEM	10/4/2019
	QA	
	MFG	
ENGINEER CA	10/4/2019	
APPROVED JEM	10/4/2019	

**The PHOENIX Company of Chicago, Inc.**  
 22 GREAT HILL RD., NAUGATUCK, CT 06770  
 WWW.PHOENIXOFCHICAGO.COM  
 PHONE: (800) 323-9562 FAX:(630) 206-1801

TITLE  
**PkZ® RECEPTACLE, DIRECT SOLDER TERMINATION**

SIZE <b>B</b>	FSCM 58167	DWG NO <b>78-1020-1413</b>	REV E	PLATING OPT. A, B, C, D
SCALE 3 : 1		F.S.R. #	SHEET 1 OF 1	

4

3

2

1