

4

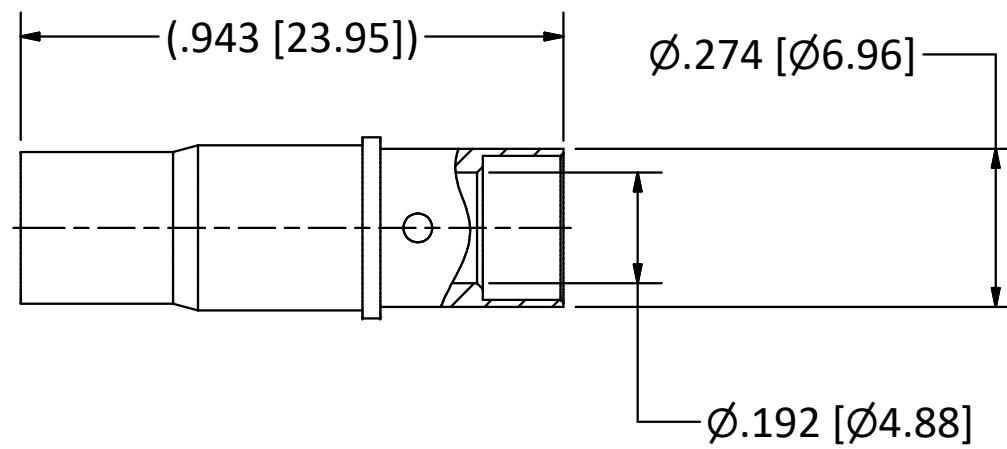
3

2

1

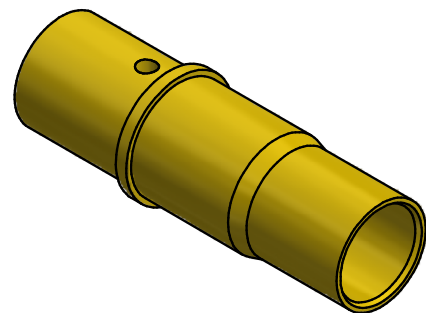
B

B



NOTES:

- 1. SPECIFICATIONS PER IDS-78.
- 2. ACCOMMODATES RG-59 CABLE.
- HOUSING:** MIL-C-38999 SERIES I, III, & IV AND MIGHTY MOUSE SERIES 80, SIZE 8 CAVITY.



SCALE 2.5 : 1

4

3

2

1

A

A

				<p>This drawing embodies a proprietary design of The Phoenix Company of Chicago, Inc., Naugatuck, CT 06770. All design, manufacturing, reproduction, use, sale, and other rights regarding the same are expressly reserved. The information in this drawing may be covered completely or in part by patents and/or patents pending.</p>	<p>WARNING - THIS DOCUMENT CONTAINS TECHNICAL DATA WHOSE EXPORT IS RESTRICTED BY THE ARMS EXPORT CONTROL ACT (TITLE 22, U.S.C., SEC 2751, ET. SEQ.) OR THE EXPORT ADMINISTRATION ACT OF 1979, AS AMENDED, TITLE 50, U.S.C., APP 2401 ET SEQ. VIOLATIONS OF THESE EXPORT LAWS ARE SUBJECT TO SEVERE CRIMINAL PENALTIES. DISSEMINATE IN ACCORDANCE WITH PROVISIONS OF DOD DIRECTIVE 5230.25.</p>	<p>Filename: ver2\Autodesk Inventor Data Base\Assemblies\78 Series\78-1020-1480-CU.idw</p>		<p>The PHOENIX Company of Chicago, Inc.</p> <p>22 GREAT HILL RD., NAUGATUCK, CT 06770 WWW.PHOENIXOFCHICAGO.COM</p> <p>PHONE: (800) 323-9562 FAX:(630) 206-1801</p>						
						<p>UNLESS OTHERWISE SPECIFIED, PHOENIX WORKMANSHIP STANDARDS APPLY DIMENSIONS IN INCHES OR (METRIC)</p>	<p>APPROVALS</p>	<p>DATE</p>	<p>TITLE</p> <p>PkZ® RECEPTACLE, DIRECT SOLDER TERMINATION</p>					
						<p>DO NOT SCALE PRINTS</p>	<p>DRAWN CA</p>	<p>10/8/2019</p>			<p>SIZE B FSCM 58167 DWG NO 78-1020-1480 REV D PLATING OPT. A, B, C, D</p>			
						<p>TOLERANCES ARE: FRACTIONS: ± 1/64 DECIMALS: .XX ± .01 .XXX ± .003</p>	<p>CHECKED JEM</p>	<p>10/8/2019</p>					<p>SCALE 3 : 1 F.S.R. # SHEET 1 OF 1</p>	
						<p>ANGLES: ± 1/2°</p>	<p>QA</p>							
				<p>32√</p>	<p>MFG</p>		<p>ENGINEER CA 10/8/2019</p>							
					<p>APPROVED JEM 10/8/2019</p>				<p>APPROVED JEM 10/8/2019</p>					
D	PER ECN 13523	10/8/19	JEM											
C	PER ECN 9685	2/08/08	JEM											
B	PER ECN 5534	7/18/00	HN											
A	REL ECN 5167	7/26/99	HN											
REV	DESCRIPTION	DATE	BY											