

4

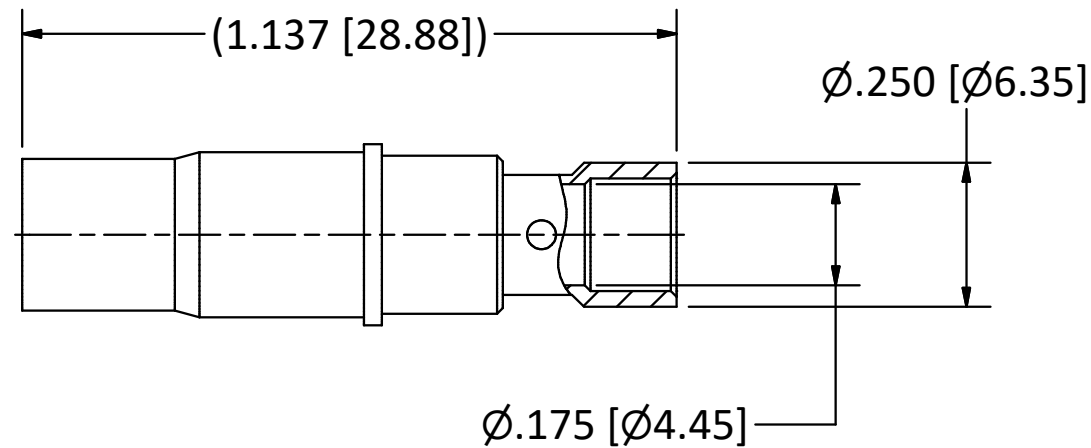
3

2

1

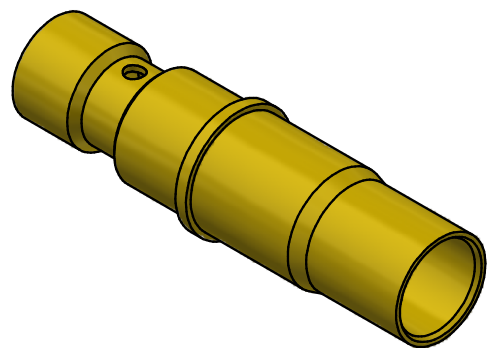
B

B



NOTES:

- 1. SPECIFICATIONS PER IDS-78.
  - 2. ACCOMMODATES INSULATED WIRE 1801-C CABLE.
- HOUSING:** MIL-C-38999 SERIES I, III, & IV AND MIGHTY MOUSE SERIES 80, SIZE 8 CAVITY.



SCALE 2.5 : 1

REV	DESCRIPTION	DATE	BY
E	PER ECN 13529	10/14/19	JEM
D	PER ECN 12755	1/2/18	JEM
C	PER ECN 9684	12/8/08	JEM
B	PER ECN 5487	6/6/00	HN
A	REL ECN 5473	5/15/00	HN

This drawing embodies a proprietary design of The Phoenix Company of Chicago, Inc., Naugatuck, CT 06770. All design, manufacturing, reproduction, use, sale, and other rights regarding the same are expressly reserved. The information in this drawing may be covered completely or in part by patents and/or patents pending.

WARNING - THIS DOCUMENT CONTAINS TECHNICAL DATA WHOSE EXPORT IS RESTRICTED BY THE ARMS EXPORT CONTROL ACT (TITLE 22, U.S.C., SEC 2751, ET. SEQ.) OR THE EXPORT ADMINISTRATION ACT OF 1979, AS AMENDED, TITLE 50, U.S.C., APP 2401 ET SEQ. VIOLATIONS OF THESE EXPORT LAWS ARE SUBJECT TO SEVERE CRIMINAL PENALTIES. DISSEMINATE IN ACCORDANCE WITH PROVISIONS OF DOD DIRECTIVE 5230.25.

Filename: ver2\Autodesk Inventor Data Base\Assemblies\78 Series\78-1020-1481-CU.idw

UNLESS OTHERWISE SPECIFIED, PHOENIX WORKMANSHIP STANDARDS APPLY DIMENSIONS IN INCHES OR (METRIC)

DO NOT SCALE PRINTS  
TOLERANCES ARE:  
FRACTIONS: ± 1/64  
DECIMALS: .XX ± .01  
.XXX ± .003  
ANGLES: ± 1/2°

32

APPROVALS	DATE
DRAWN JEM	4/10/2000
CHECKED HN	4/10/2000
QA	
MFG	
ENGINEER JEM	4/10/2000
APPROVED HN	4/10/2000

**The PHOENIX Company of Chicago, Inc.**

22 GREAT HILL RD., NAUGATUCK, CT 06770  
WWW.PHOENIXOFCHICAGO.COM  
PHONE: (800) 323-9562 FAX:(630) 206-1801

TITLE  
**PkZ® RECEPTACLE, DIRECT SOLDER TERMINATION**

SIZE	FSCM	DWG NO	REV	PLATING OPT.
B	58167	<b>78-1020-1481</b>	E	A, B, C, D
SCALE	3 : 1	F.S.R. #	SHEET 1	OF 1

4

3

2

1

A

A