

4

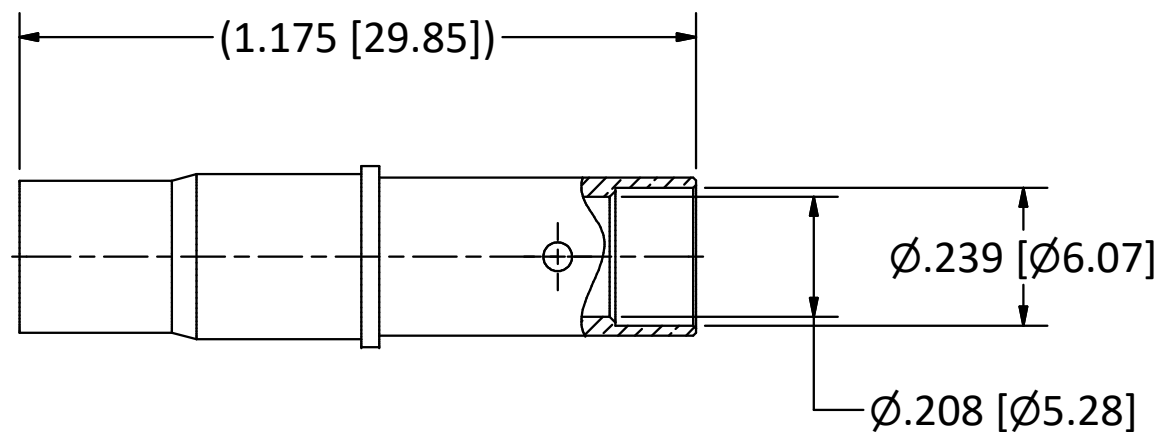
3

2

1

B

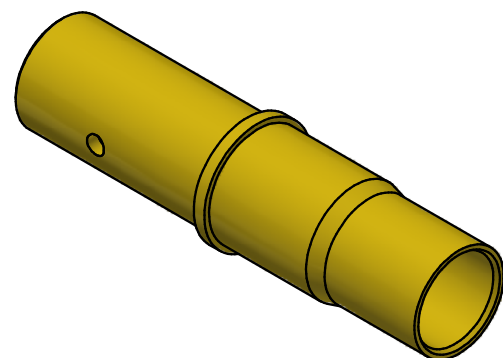
B



NOTES:

- 1. SPECIFICATIONS PER IDS-78.
- 2. ACCOMMODATES INSULATED WIRE 2301-C CABLE.
- 3. ELECTRICAL RESULTS WHEN MATED TO 78 SERIES PkZ® PLUG:
 - a) FREQUENCY: DC TO 18 GHz.
 - b) VSWR: 1.30 : 1

HOUSING: MIL-C-38999 SERIES I-IV AND MIGHTY MOUSE SERIES 80, SIZE 8 CAVITY.



SCALE 2.5 : 1

4

3

2

1

A

A

				This drawing embodies a proprietary design of The Phoenix Company of Chicago, Inc., Naugatuck, CT 06770. All design, manufacturing, reproduction, use, sale, and other rights regarding the same are expressly reserved. The information in this drawing may be covered completely or in part by patents and/or patents pending.	WARNING - THIS DOCUMENT CONTAINS TECHNICAL DATA WHOSE EXPORT IS RESTRICTED BY THE ARMS EXPORT CONTROL ACT (TITLE 22, U.S.C., SEC 2751, ET. SEQ.) OR THE EXPORT ADMINISTRATION ACT OF 1979, AS AMENDED, TITLE 50, U.S.C., APP 2401 ET SEQ. VIOLATIONS OF THESE EXPORT LAWS ARE SUBJECT TO SEVERE CRIMINAL PENALTIES. DISSEMINATE IN ACCORDANCE WITH PROVISIONS OF DOD DIRECTIVE 5230.25.	Filename: ver2\Autodesk Inventor Data Base\Assemblies\78 Series\78-1020-1911-CU.idw		The PHOENIX Company of Chicago, Inc. 22 GREAT HILL RD., NAUGATUCK, CT 06770 WWW.PHOENIXOFCHICAGO.COM PHONE: (800) 323-9562 FAX:(630) 206-1801	
UNLESS OTHERWISE SPECIFIED, PHOENIX WORKMANSHIP STANDARDS APPLY DIMENSIONS IN INCHES OR (METRIC)		APPROVALS DRAWN JEM CHECKED HN QA MFG ENGINEER JEM APPROVED HN	DATE 4/10/2000 4/10/2000			TITLE PkZ® RECEPTACLE, DIRECT SOLDER TERMINATION			
DO NOT SCALE PRINTS TOLERANCES ARE: FRACTIONS: ± 1/64 DECIMALS: .XX ± .01 .XXX ± .003 ANGLES: ± 1/2°				SIZE B	FSCM 58167			DWG NO 78-1020-1911	REV E
E PER ECN 14098 2/14/2022 SPS D PER ECN 13530 10/14/19 JEM C PER ECN 9683 12/8/08 JEM B PER ECN 5487 6/6/00 HN A REL ECN 5473 5/15/00 HN REV DESCRIPTION DATE BY			SCALE 3 : 1		F.S.R. #		SHEET 1 OF 1		