

4

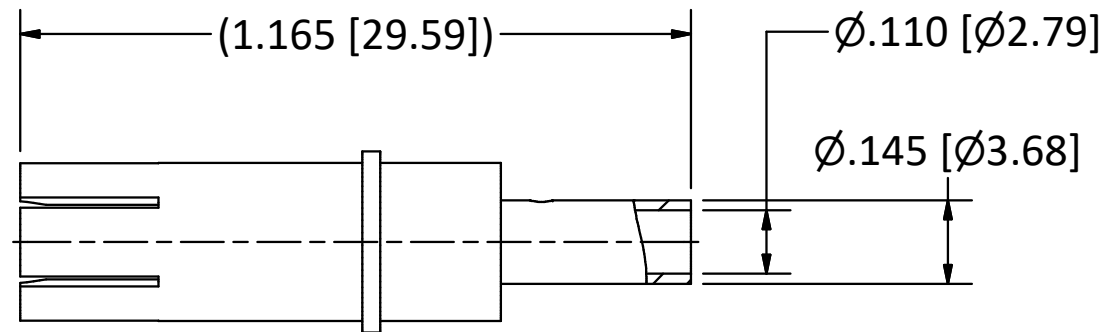
3

2

1

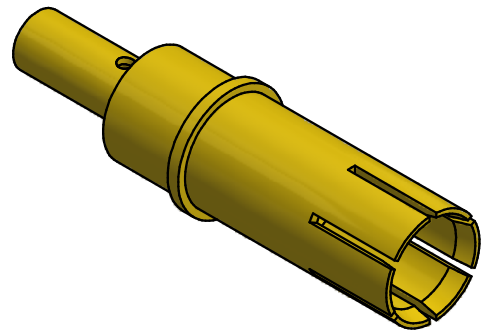
B

B



NOTES:

- 1. SPECIFICATIONS PER IDS-78.
 - 2. ACCOMMODATES 12 OR 14 AWG STRANDED WIRE.
- HOUSING:** MIL-C-38999 SERIES I, III, & IV AND MIGHTY MOUSE SERIES 80, SIZE 8 CAVITY.



SCALE 2.5 : 1

4

3

2

1

A

A

<table border="1"> <tr><td>B</td><td>PER ECN 13542</td><td>10/21/19</td><td>HN</td></tr> <tr><td>A</td><td>PER ECN 4608</td><td>8/3/98</td><td>HN</td></tr> <tr><td>01</td><td>PROTOTYPE</td><td>7/28/98</td><td>JEM</td></tr> <tr><td>REV</td><td>DESCRIPTION</td><td>DATE</td><td>BY</td></tr> </table>				B	PER ECN 13542	10/21/19	HN	A	PER ECN 4608	8/3/98	HN	01	PROTOTYPE	7/28/98	JEM	REV	DESCRIPTION	DATE	BY	<p>This drawing embodies a proprietary design of The Phoenix Company of Chicago, Inc., Naugatuck, CT 06770. All design, manufacturing, reproduction, use, sale, and other rights regarding the same are expressly reserved. The information in this drawing may be covered completely or in part by patents and/or patents pending.</p>		<p>WARNING - THIS DOCUMENT CONTAINS TECHNICAL DATA WHOSE EXPORT IS RESTRICTED BY THE ARMS EXPORT CONTROL ACT (TITLE 22, U.S.C., SEC 2751, ET. SEQ.) OR THE EXPORT ADMINISTRATION ACT OF 1979, AS AMENDED, TITLE 50, U.S.C., APP 2401 ET SEQ. VIOLATIONS OF THESE EXPORT LAWS ARE SUBJECT TO SEVERE CRIMINAL PENALTIES. DISSEMINATE IN ACCORDANCE WITH PROVISIONS OF DOD DIRECTIVE 5230.25.</p>		<p>Filename: ver2\Autodesk Inventor Data Base\Assemblies\78 Series\78-1080-0002.idw</p> <table border="1"> <tr><th colspan="2">UNLESS OTHERWISE SPECIFIED, PHOENIX WORKMANSHIP STANDARDS APPLY DIMENSIONS IN INCHES OR (METRIC)</th></tr> <tr><td>APPROVALS</td><td>DATE</td></tr> <tr><td>DRAWN CA</td><td>10/21/2019</td></tr> <tr><td>CHECKED JEM</td><td>10/21/2019</td></tr> <tr><td>QA</td><td></td></tr> <tr><td>MFG</td><td></td></tr> <tr><td>ENGINEER CA</td><td>10/21/2019</td></tr> <tr><td>APPROVED JEM</td><td>10/21/2019</td></tr> </table> <p>DO NOT SCALE PRINTS</p> <p>TOLERANCES ARE: FRACTIONS: ± 1/64 DECIMALS: .XX ± .01 .XXX ± .003 ANGLES: ± 1/2°</p>		UNLESS OTHERWISE SPECIFIED, PHOENIX WORKMANSHIP STANDARDS APPLY DIMENSIONS IN INCHES OR (METRIC)		APPROVALS	DATE	DRAWN CA	10/21/2019	CHECKED JEM	10/21/2019	QA		MFG		ENGINEER CA	10/21/2019	APPROVED JEM	10/21/2019	<p>The PHOENIX Company of Chicago, Inc.</p> <p>22 GREAT HILL RD., NAUGATUCK, CT 06770 WWW.PHOENIXOFCHICAGO.COM</p> <p>PHONE: (800) 323-9562 FAX:(630) 206-1801</p>	
B	PER ECN 13542	10/21/19	HN																																								
A	PER ECN 4608	8/3/98	HN																																								
01	PROTOTYPE	7/28/98	JEM																																								
REV	DESCRIPTION	DATE	BY																																								
UNLESS OTHERWISE SPECIFIED, PHOENIX WORKMANSHIP STANDARDS APPLY DIMENSIONS IN INCHES OR (METRIC)																																											
APPROVALS	DATE																																										
DRAWN CA	10/21/2019																																										
CHECKED JEM	10/21/2019																																										
QA																																											
MFG																																											
ENGINEER CA	10/21/2019																																										
APPROVED JEM	10/21/2019																																										
<p>TITLE: HIGH POWER RECEPTACLE, CRIMP TERMINATION</p>																																											
<table border="1"> <tr><td>SIZE</td><td>FSCM</td><td>DWG NO</td><td>REV</td><td>PLATING OPT.</td></tr> <tr><td>B</td><td>58167</td><td>78-1080-0002</td><td>B</td><td>A, B, C, D</td></tr> </table>		SIZE	FSCM	DWG NO	REV	PLATING OPT.	B	58167	78-1080-0002	B	A, B, C, D	<p>SCALE 3 : 1</p>		<p>F.S.R. #</p>																													
SIZE	FSCM	DWG NO	REV	PLATING OPT.																																							
B	58167	78-1080-0002	B	A, B, C, D																																							
<p>SHEET 1 OF 1</p>				<p></p>																																							