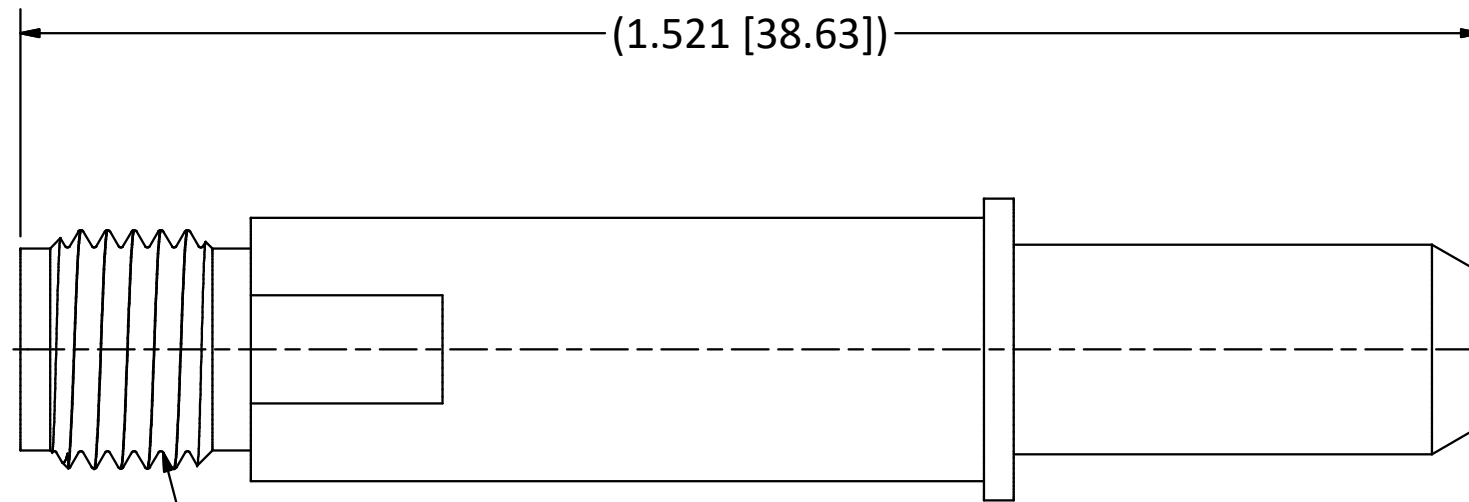
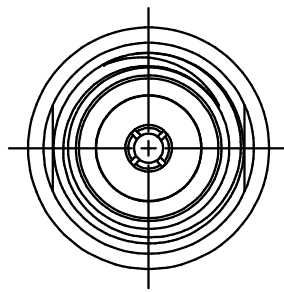


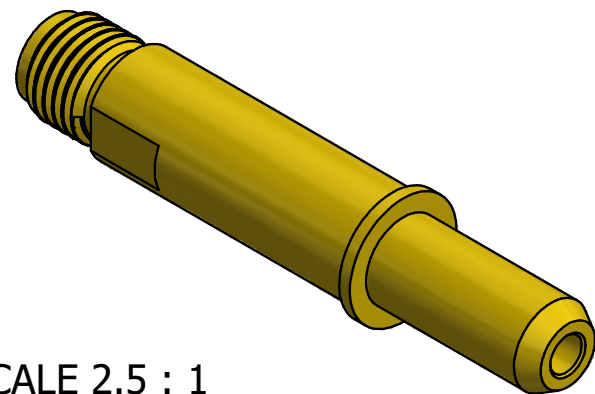
4 | 3 | 2 | 1



.25-36 UNS-2A THREADS

NOTES:

- 1. SPECIFICATIONS PER IDS-78 (PkZ® INTERFACE) AND IDS-05 (3.5mm INTERFACE)
- 2. FREQUENCY RANGE: DC TO 32 GHz.
- HOUSING:** MIL-C-38999 SERIES I-IV AND MIGHTY MOUSE SERIES 80, SIZE 8 CAVITY.



SCALE 2.5 : 1

4 | 3 | 2 | 1

<table border="1"> <tr> <td>A</td> <td>REL. PER ECN 12792</td> <td>2/23/18</td> <td>RMB</td> </tr> <tr> <td>REV</td> <td>DESCRIPTION</td> <td>DATE</td> <td>BY</td> </tr> </table>				A	REL. PER ECN 12792	2/23/18	RMB	REV	DESCRIPTION	DATE	BY	<p>This drawing embodies a proprietary design of The Phoenix Company of Chicago, Inc., Naugatuck, CT 06770. All design, manufacturing, reproduction, use, sale, and other rights regarding the same are expressly reserved. The information in this drawing may be covered completely or in part by patents and/or patents pending.</p>	<p>WARNING - THIS DOCUMENT CONTAINS TECHNICAL DATA WHOSE EXPORT IS RESTRICTED BY THE ARMS EXPORT CONTROL ACT (TITLE 22, U.S.C., SEC 2751, ET. SEQ.) OR THE EXPORT ADMINISTRATION ACT OF 1979, AS AMENDED, TITLE 50, U.S.C., APP 2401 ET SEQ. VIOLATIONS OF THESE EXPORT LAWS ARE SUBJECT TO SEVERE CRIMINAL PENALTIES. DISSEMINATE IN ACCORDANCE WITH PROVISIONS OF DOD DIRECTIVE 5230.25.</p>	<p>Filename: \\Autodesk Inventor Data Base\Assemblies\78 Series\78-1080-0670-CU-Layout for C Sized Drawing.idw</p>		<p>The PHOENIX Company of Chicago, Inc. 22 GREAT HILL RD., NAUGATUCK, CT 06770 WWW.PHOENIXOFCHICAGO.COM PHONE: (800) 323-9562 FAX:(630) 206-1801</p>		<p>TITLE ADAPTER, PkZ® PLUG TO 3.5mm RECEPTACLE</p>				
				A	REL. PER ECN 12792	2/23/18	RMB															
REV	DESCRIPTION	DATE	BY																			
<p>UNLESS OTHERWISE SPECIFIED, PHOENIX WORKMANSHIP STANDARDS APPLY DIMENSIONS IN INCHES OR (METRIC)</p> <p>DO NOT SCALE PRINTS</p> <p>TOLERANCES ARE: FRACTIONS: ± 1/64 DECIMALS: .XX ± .01 .XXX ± .003 ANGLES: ± 1/2°</p>		<table border="1"> <tr> <th>APPROVALS</th> <th>DATE</th> </tr> <tr> <td>DRAWN JEM</td> <td>2/23/2018</td> </tr> <tr> <td>CHECKED RMB</td> <td>2/23/2018</td> </tr> <tr> <td>QA</td> <td></td> </tr> <tr> <td>MFG</td> <td></td> </tr> <tr> <td>ENGINEER JEM</td> <td>2/23/2018</td> </tr> <tr> <td>APPROVED RMB</td> <td>2/23/2018</td> </tr> </table>	APPROVALS	DATE	DRAWN JEM	2/23/2018	CHECKED RMB	2/23/2018	QA		MFG		ENGINEER JEM	2/23/2018	APPROVED RMB	2/23/2018	<table border="1"> <tr> <td>SIZE B</td> <td>FSCM 58167</td> <td>DWG NO 7805-0100-01</td> <td>REV A</td> <td>PLATING OPT.</td> </tr> </table>	SIZE B	FSCM 58167	DWG NO 7805-0100-01	REV A	PLATING OPT.
APPROVALS	DATE																					
DRAWN JEM	2/23/2018																					
CHECKED RMB	2/23/2018																					
QA																						
MFG																						
ENGINEER JEM	2/23/2018																					
APPROVED RMB	2/23/2018																					
SIZE B	FSCM 58167	DWG NO 7805-0100-01	REV A	PLATING OPT.																		
				<p>SCALE 5 : 1</p>		<p>F.S.R. #</p>		<p>SHEET 1 OF 1</p>														