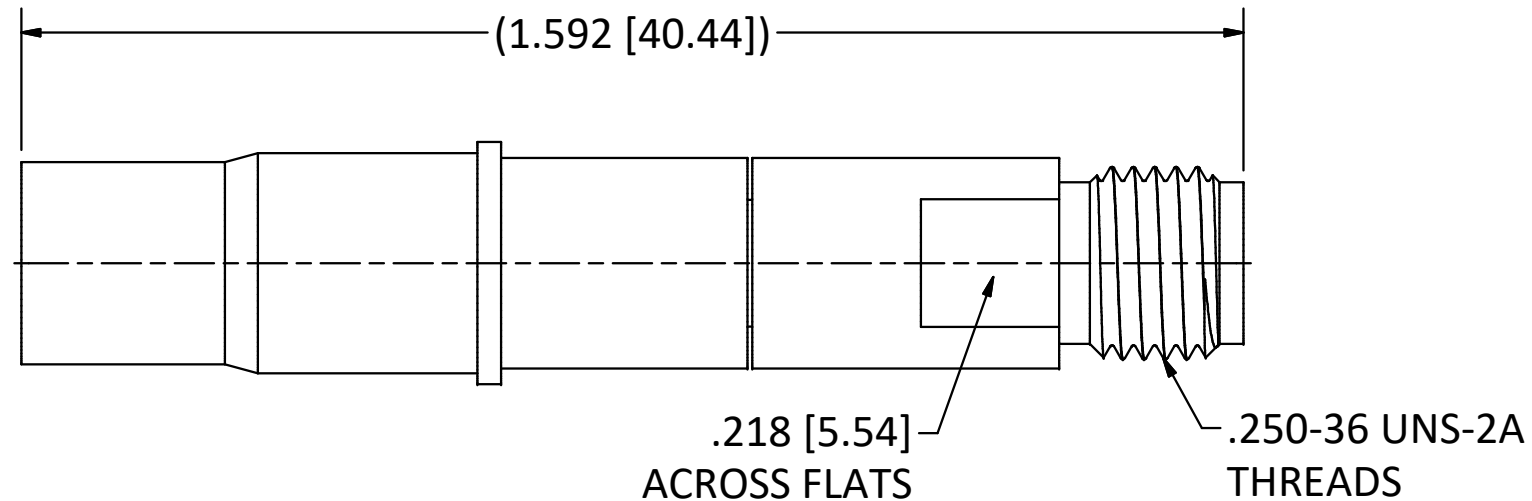


4

3

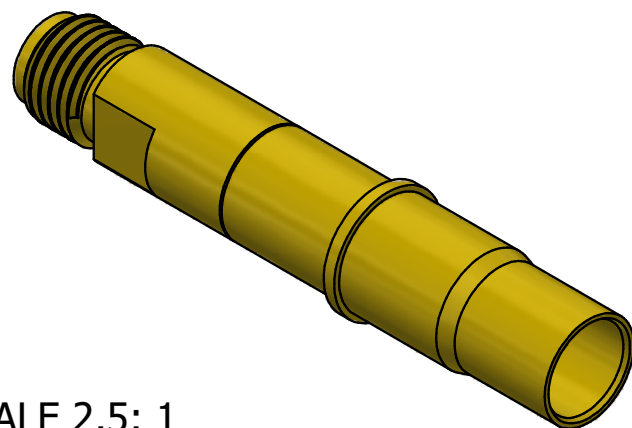
2

1



NOTES:

- 1. SPECIFICATIONS PER IDS-78 & IDS-05.
- 2. ELECTRICALS:
 - 2.1 IMPEDANCE: 50 OHMS.
 - 2.2 FREQUENCT: DC TO 32 GHz.
 - 2.3 VSWR: 1.30:1 TO 26.5 GHz.
 - 1.35:1 TO 32 GHz.



SCALE 2.5: 1

C	PER ECN 14087	1/28/2022	PH
B	PER ECN 14031	6/23/2021	JEM
A	REL. PER ECN 12742	12/13/17	JEM
REV.	DESCRIPTION	DATE	BY

This drawing embodies a proprietary design of The Phoenix Company of Chicago, Inc., Naugatuck, CT 06770. All design, manufacturing, reproduction, use, sale, and other rights regarding the same are expressly reserved. The information in this drawing may be covered completely or in part by patents and/or patents pending.

WARNING - THIS DOCUMENT CONTAINS TECHNICAL DATA WHOSE EXPORT IS RESTRICTED BY THE ARMS EXPORT CONTROL ACT (TITLE 22, U.S.C., SEC 2751, ET. SEQ.) OR THE EXPORT ADMINISTRATION ACT OF 1979, AS AMENDED, TITLE 50, U.S.C., APP 2401 ET SEQ. VIOLATIONS OF THESE EXPORT LAWS ARE SUBJECT TO SEVERE CRIMINAL PENALTIES. DISSEMINATE IN ACCORDANCE WITH PROVISIONS OF DOD DIRECTIVE 5230.25.

Filename: \\Autodesk Inventor Data Base\Assemblies\78 Series\78-1080-0670-CU-Layout for C Sized Drawing.idw

UNLESS OTHERWISE SPECIFIED, PHOENIX WORKMANSHIP STANDARDS APPLY DIMENSIONS IN INCHES OR (METRIC)

DO NOT SCALE PRINTS
TOLERANCES ARE:
FRACTIONS: ± 1/64
DECIMALS: .XX ± .01
.XXX ± .003
ANGLES: ± 1/2°

32√

	APPROVALS	DATE
DRAWN	BH	12/13/2017
CHECKED	JEM	12/13/2017
QA		
MFG		
ENGINEER	BH	12/13/2017
APPROVED	JEM	12/13/2017

The **PHOENIX** Company of Chicago, Inc.

22 GREAT HILL RD., NAUGATUCK, CT 06770
WWW.PHOENIXOFCHICAGO.COM
PHONE: (800) 323-9562 FAX:(630) 206-1801

TITLE
ADAPTOR, 78 SERIES PkZ® TO 3.5mm RECEPTACLE

SIZE	FSCM	DWG NO	REV	PLATING OPT.
B	58167	7805-1100-01	C	G
SCALE	4 : 1	F.S.R. #	SHEET 1	OF 1

4

3

2

1