

NOTES:

1.) MATERIALS:

HOUSING: NON-MAGNETIC BRASS  
HARDWARE: NON-MAGNETIC BRASS

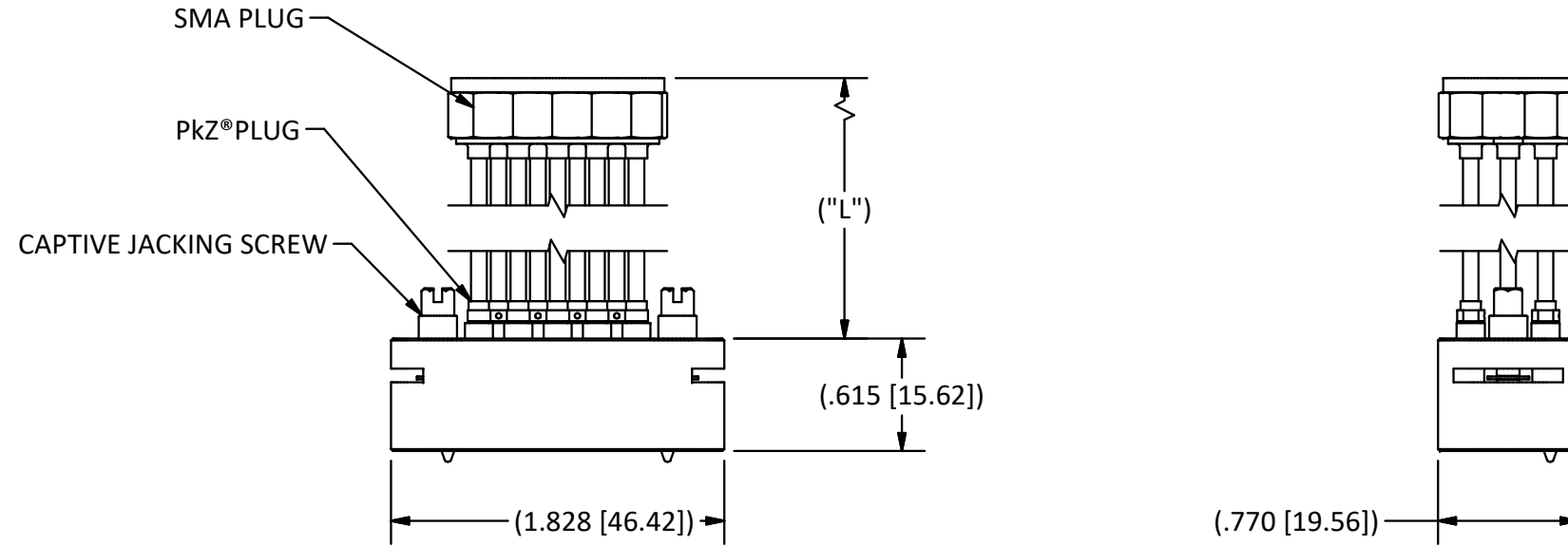
2.) FINISHES:

HOUSING: GOLD PLATED  
HARDWARE: CORROSION RESISTANT

3.) DIMENSIONS ARE FOR REFERENCE ONLY,  
UNLESS OTHERWISE SPECIFIED.

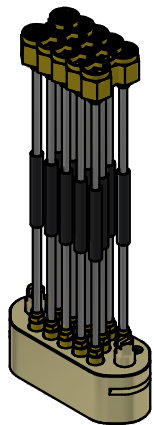
4.) SEE INDIVIDUAL CABLE ASSEMBLY DRAWINGS  
FOR PERFORMANCE AND SPECIFICATIONS.

5.) MAGNETISM: < 1.00000 mu.



PART NUMBER HDQP03100-0101 SHOWN  
SCALE 1 : 1

Part Number	Description	"L" Cable Length
HDQP03100-0101	Quantum Plug Housing; 14 Position, 18 GHz, 8 Inch Cable Length	8"
HDQP03100-0102	Quantum Plug Housing; 14 Position, 18 GHz, 9 Inch Cable Length	9"
HDQP03100-0103	Quantum Plug Housing; 14 Position, 18 GHz, 12 Inch Cable Length	12"
HDQP03100-0104	Quantum Plug Housing; 14 Position, 18 GHz, 18 Inch Cable Length	18"
HDQP03100-0105	Quantum Plug Housing; 14 Position, 18 GHz, 24 Inch Cable Length	24"



REV	DESCRIPTION	BY	DATE
A	ECN #14203	JR	2/8/2023

This drawing embodies a proprietary design of The Phoenix Company of Chicago, Inc., Naugatuck, CT 06770. All design, manufacturing, reproduction, use, sale, and other rights regarding the same are expressly reserved. The information in this drawing may be covered completely or in part by patents and/or patents pending.

WARNING - THIS DOCUMENT CONTAINS TECHNICAL DATA WHOSE EXPORT IS RESTRICTED BY THE ARMS EXPORT CONTROL ACT (TITLE 22, U.S.C., SEC 2751, ET. SEQ.) OR THE EXPORT ADMINISTRATION ACT OF 1979, AS AMENDED, TITLE 50, U.S.C., APP 2401 ET SEQ. VIOLATIONS OF THESE EXPORT LAWS ARE SUBJECT TO SEVERE CRIMINAL PENALTIES. DISSEMINATE IN ACCORDANCE WITH PROVISIONS OF DOD DIRECTIVE 5230.25.

Filename: B\_C\_Size\_Formats.idw

UNLESS OTHERWISE SPECIFIED, PHOENIX WORKMANSHIP STANDARDS APPLY DIMENSIONS IN INCHES OR (METRIC)

DO NOT SCALE PRINTS  
TOLERANCES ARE:  
FRACTIONS: ± 1/64  
DECIMALS: .XX ± .01  
.XXX ± .003  
ANGLES: ± 1/2°



APPROVALS	DATE
DRAWN bprempas	5/5/2022
CHECKED RMB	2/8/2023
QA V.I.	2/8/2023
MFG SG	2/8/2023
ENGINEER A. HUEZO	2/8/2023
APPROVED RMB	2/8/2023

**The PHOENIX Company of Chicago, Inc.**

22 GREAT HILL RD., NAUGATUCK, CT 06770  
WWW.PHOENIXOFCHICAGO.COM  
PHONE: (800) 323-9562 FAX:(630) 206-1801

TITLE Quantum Plug Housing; 14 Position, 18 GHz, Fully Loaded With Cable Assemblies				
SIZE B	FSCM 58167	DWG NO <b>HDQP03100-01XX</b>	REV A	PLATING OPT.
SCALE	1 : 1	F.S.R. #	SHEET 1	OF 1