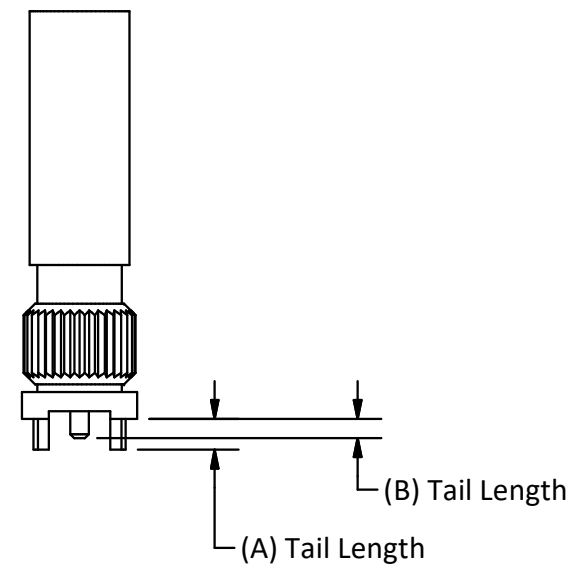
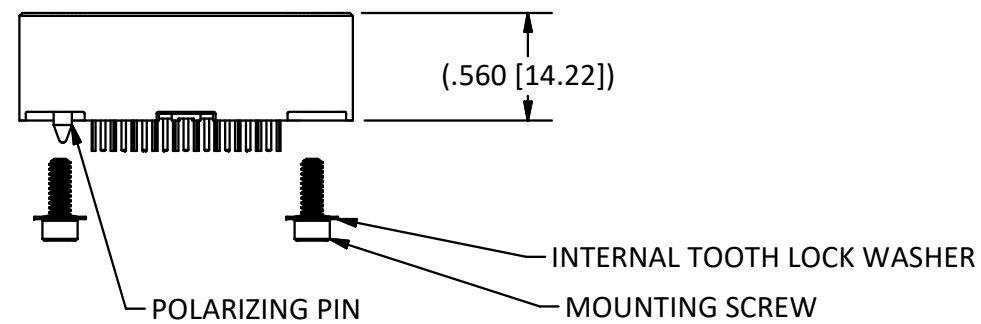


SECTION A-A  
SCALE 1 : 1

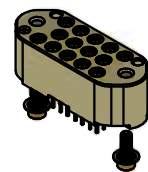


PkZ® CONTACT  
SCALE 4 : 1



PART NUMBER HDQR03101-0101 SHOWN  
SCALE 1 : 1

Part Number	Description	PkZ® (A) Tail Length Reference	PkZ® (B) Tail Length Reference	PkZ® Contact Part Number
HDQR03101-0100	Quantum Receptacle Housing; 14 Positions, No Contacts Included	N/A	N/A	No Contacts Included
HDQR03101-0101	Quantum Receptacle Housing; 14 Positions, Full Complement of 18 GHz, PkZ® Contacts	.158	.158	56-1450-04J
HDQR03101-0102	Quantum Receptacle Housing; 14 Positions, Full Complement of 18 GHz, PkZ® Contacts	.040	.025	56-1450-07J
HDQR03101-0103	Quantum Receptacle Housing; 14 Positions, Full Complement of 18 GHz, PkZ® Contacts	.025	.025	56-1450-08J
HDQR03101-0104	Quantum Receptacle Housing; 14 Positions, Full Complement of 18 GHz, PkZ® Contacts	.103	.087	56-1450-09J



This drawing embodies a proprietary design of The Phoenix Company of Chicago, Inc., Naugatuck, CT 06770. All design, manufacturing, reproduction, use, sale, and other rights regarding the same are expressly reserved. The information in this drawing may be covered completely or in part by patents and/or patents pending.	WARNING - THIS DOCUMENT CONTAINS TECHNICAL DATA WHOSE EXPORT IS RESTRICTED BY THE ARMS EXPORT CONTROL ACT (TITLE 22, U.S.C., SEC 2751, ET. SEQ.) OR THE EXPORT ADMINISTRATION ACT OF 1979, AS AMENDED, TITLE 50, U.S.C., APP 2401 ET SEQ. VIOLATIONS OF THESE EXPORT LAWS ARE SUBJECT TO SEVERE CRIMINAL PENALTIES. DISSEMINATE IN ACCORDANCE WITH PROVISIONS OF DOD DIRECTIVE 5230.25.	UNLESS OTHERWISE SPECIFIED, PHOENIX WORKMANSHIP STANDARDS APPLY DIMENSIONS IN INCHES OR (METRIC)  DO NOT SCALE PRINTS  TOLERANCES ARE: FRACTIONS: ± 1/64 DECIMALS: .XX ± .01 .XXX ± .003 ANGLES: ± 1/2°	APPROVALS DRAWN wphilip 12/14/2022	DATE 12/14/2022	<b>The PHOENIX Company of Chicago, Inc.</b> 22 GREAT HILL RD., NAUGATUCK, CT 06770 WWW.PHOENIXOFCHICAGO.COM PHONE: (800) 323-9562 FAX:(630) 206-1801			
			CHECKED RMB 2/8/2023	DATE 2/8/2023		TITLE <b>Quantum Receptacle Housing; 14 Positions, Full Complement of 18 GHz, PkZ® Contacts</b>		
ECN #14202 JR 2/8/2023	DESCRIPTION BY DATE	ENGINEER A. HUEZO 2/8/2023	APPROVED RMB 2/8/2023	SIZE B	FSCM 58167	DWG NO <b>HDQR03101-01XX</b>	REV A	PLATING OPT.
SCALE 1 : 1		F.S.R. #		SHEET 1 OF 2				

4

3

2

1

NOTES:

1.) MATERIALS:

HOUSING: NON-MAGNETIC BRASS  
HARDWARE: NON-MAGNETIC BRASS

2.) FINISHES:

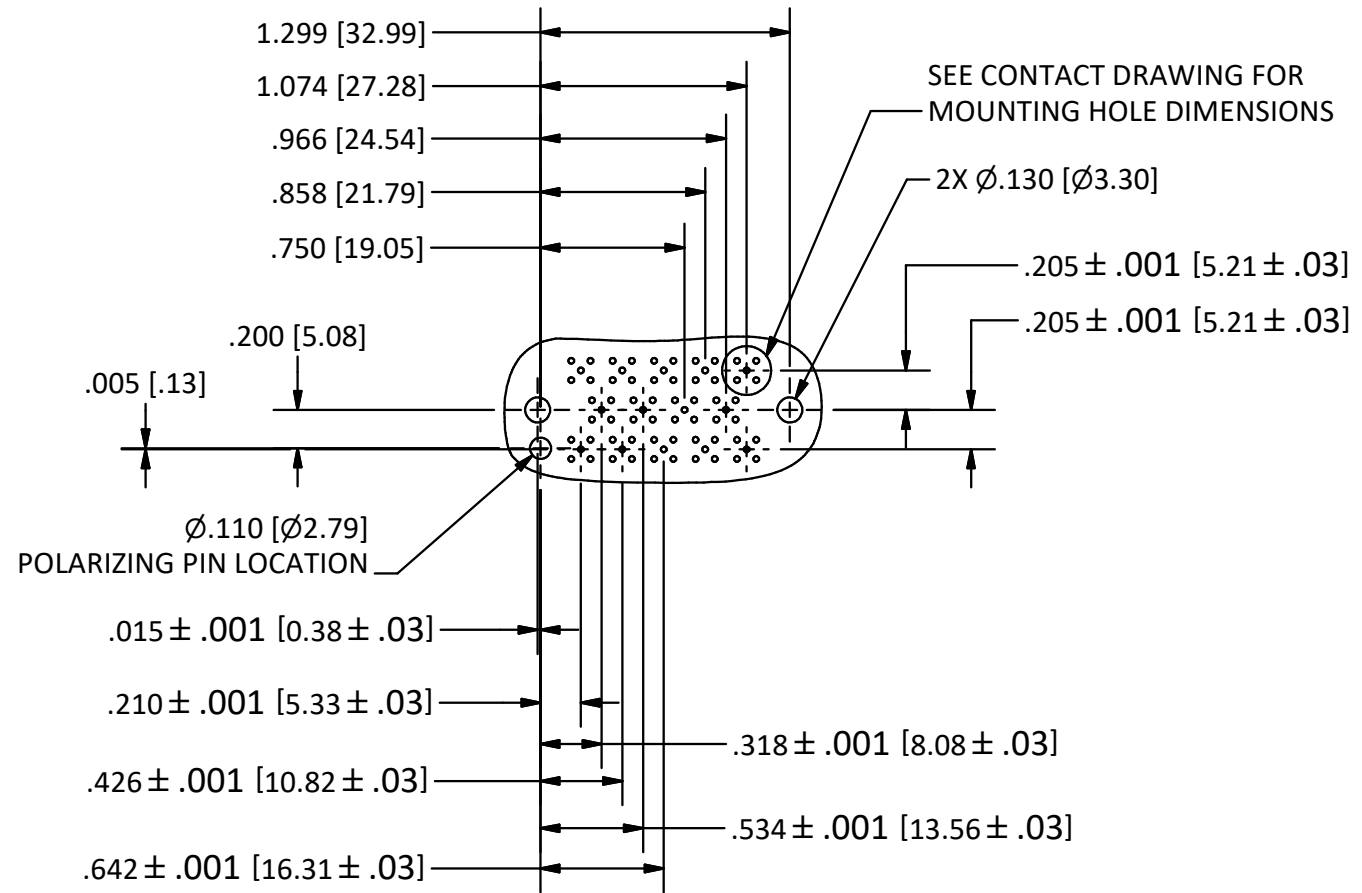
HOUSING: GOLD PLATED  
HARDWARE: CORROSION RESISTANT

3.) DIMENSIONS ARE FOR REFERENCE ONLY,  
UNLESS OTHERWISE SPECIFIED.

4.) ABOVE SPECIFICATIONS DO NOT INCLUDE PkZ®  
CONTACTS, REFER TO TABLE FOR APPLICABLE  
CONTACTS.

5.) MAGNETISM: < 1.00000 mu.

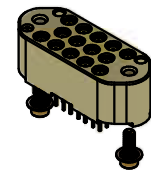
6.) MOUNTING HARDWARE AND PkZ® CONTACTS ARE  
PACKAGED AND SHIPPED SEPARATELY.



CONTACT MOUNTING HOLE PATTERN

SCALE 1 : 1

14 PLACES



<p>This drawing embodies a proprietary design of The Phoenix Company of Chicago, Inc., Naugatuck, CT 06770. All design, manufacturing, reproduction, use, sale, and other rights regarding the same are expressly reserved. The information in this drawing may be covered completely or in part by patents and/or patents pending.</p>				<p>WARNING - THIS DOCUMENT CONTAINS TECHNICAL DATA WHOSE EXPORT IS RESTRICTED BY THE ARMS EXPORT CONTROL ACT (TITLE 22, U.S.C., SEC 2751, ET. SEQ.) OR THE EXPORT ADMINISTRATION ACT OF 1979, AS AMENDED, TITLE 50, U.S.C., APP 2401 ET SEQ. VIOLATIONS OF THESE EXPORT LAWS ARE SUBJECT TO SEVERE CRIMINAL PENALTIES. DISSEMINATE IN ACCORDANCE WITH PROVISIONS OF DOD DIRECTIVE 5230.25.</p>				<p>UNLESS OTHERWISE SPECIFIED, PHOENIX WORKMANSHIP STANDARDS APPLY DIMENSIONS IN INCHES OR (METRIC)</p>			<p>APPROVALS</p>		<p>DATE</p>		<p><b>The PHOENIX Company of Chicago, Inc.</b> 22 GREAT HILL RD., NAUGATUCK, CT 06770 WWW.PHOENIXOFCHICAGO.COM PHONE: (800) 323-9562 FAX:(630) 206-1801</p>			
								<p>DO NOT SCALE PRINTS</p>			<p>DRAWN wphilip</p>		<p>12/14/2022</p>					
<p>TOLERANCES ARE: FRACTIONS: ± 1/64 DECIMALS: .XX ± .01 .XXX ± .003 ANGLES: ± 1/2°</p>			<p>CHECKED RMB</p>		<p>2/8/2023</p>		<p>SIZE B</p>				<p>FSCM 58167</p>		<p>DWG NO <b>HDQR03101-01XX</b></p>		<p>REV A</p>		<p>PLATING OPT.</p>	
<p>APPROVED RMB</p>			<p>QA V.I.</p>		<p>2/8/2023</p>													
<p>ENGINEER A. HUEZO</p>			<p>MFG SG</p>		<p>2/8/2023</p>		<p>SCALE 1 / 2</p>				<p>F.S.R. #</p>		<p>SHEET 2 OF 2</p>					
<p>REV</p>			<p>DESCRIPTION</p>		<p>BY</p>										<p>DATE</p>		<p>SCALE 1 / 2</p>	
<p>A</p>			<p>ECN #14202</p>		<p>JR</p>		<p>2/8/2023</p>		<p>SCALE 1 / 2</p>				<p>F.S.R. #</p>		<p>SHEET 2 OF 2</p>			

4

3

2

1