

PRX CONNECTORS

High Density Microwave
for PXIe



FEATURES

- 26-Pin Configuration
- Backshell-Free Design
- Easy Jacking Engagement/Disengagement
- Enhanced Contact Stability
- Size-16 PkZ® Contacts Pre-Cabled
- 300 MHz to 67 GHz
- Variety of 50 Ohm Cables
- Constant Impedance over a Broad Axial Mating Tolerance
- Single or Two Stacked Connectors in a Single PXI Slot

APPLICATIONS

- PXIe Instrument Modules
- Test & Measurement
- Broadcast
- Medical
- Military

SPECIFICATIONS

MATERIALS AND FINISHES

HOUSINGS & CABLE GUIDE PLATES

- Housing: Acetal, Black
- Hardware: Stainless Steel, Passivated
- Guide Pins: Stainless Steel, Passivated

PKZ CONTACTS

- Bodies: Brass Per ASTM B16, Gold Over Nickel
- Contacts: Beryllium Copper Per ASTM B196
Or Brass Per ASTM B16, Gold Over Nickel
- Insulators: Virgin Teflon (PTFE) Per ASTM D1710

ELECTRICAL

HOUSINGS

- Dielectric: 1,000 Volts RMS at Sea Level

PKZ CONTACTS

- Impedance: 50 Ohms
- Frequency: Up to 67 GHz
- Axial Mating: .050"
- Cable Groups: 1.37mm, RG-178, 316, 405, .047", Custom

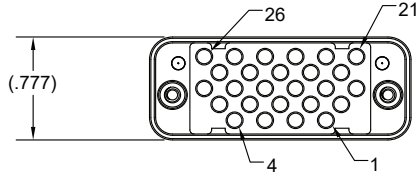


Leading Blindmate Microwave Contact Technology

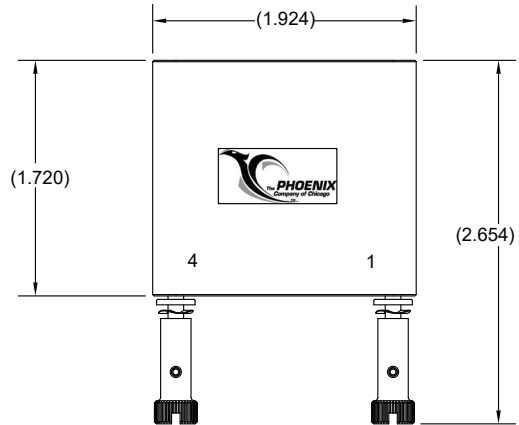
www.phoenixofchicago.com

PRX CONNECTORS

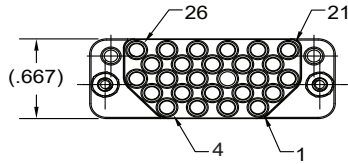
PRX PLUG HOUSING



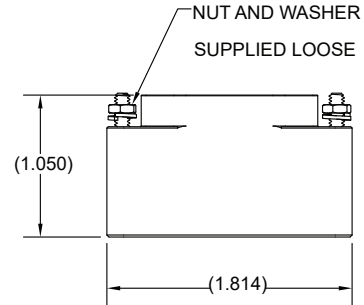
PART NUMBER: PRX26PDX2XA0000



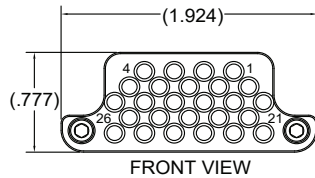
PRX RECEPTACLE HOUSING



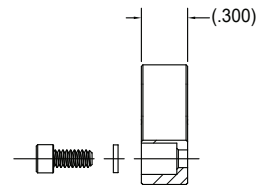
PART NUMBER: PRX26RDX2XA0000



PRX CABLE GUIDE PLATES



FRONT VIEW



CABLE GUIDE PLATE PART NUMBER	CABLE TYPE	RF CABLE PART NUMBER
PRX1130040802	M17/151 (0.047)	1560000EK000XXX
PRX1130040801	RG-405	156000064000XXX
PRX1130040801	RG-316	156000007000XXX
PRX1130040801	RG-178	156000023000XXX

LEARN MORE

