

# PRX HARNESSES

High Density Microwave  
for **PXIe**



## FEATURES

- 26-Pin Configuration
- Backshell-Free Design
- Easy Jacking Engagement/Disengagement
- Enhanced Contact Stability
- Size-16 PKZ<sup>®</sup> Contacts
- 300 MHz to 67 GHz
- Variety of 50 Ohm Cables
- Constant Impedance over a Broad Axial Mating Tolerance
- Single or Two Stacked Connectors in a Single PXI Slot

## APPLICATIONS

- PXIe Instrument Modules
- Test & Measurement
- Broadcast
- Medical
- Military

## SPECIFICATIONS

### MATERIALS AND FINISHES

#### HOUSINGS & CABLE GUIDE PLATES

- Housing: Acetal, Black
- Hardware: Stainless Steel, Passivated
- Guide Pins: Stainless Steel, Passivated

#### PKZ CONTACTS

- Bodies: Brass Per ASTM B16, Gold Over Nickel
- Contacts: Beryllium Copper Per ASTM B196  
Or Brass Per ASTM B16, Gold Over Nickel
- Insulators: Virgin Teflon (PTFE) Per ASTM D1710

### ELECTRICAL

#### HOUSINGS

- Dielectric: 1,000 Volts RMS at Sea Level

#### PKZ CONTACTS

- Impedance: 50 Ohms
- Frequency: Up to 67 GHz
- Axial Mating: .050"
- Cable Groups: 1.37mm, RG-178, 316, 405, .047", Custom

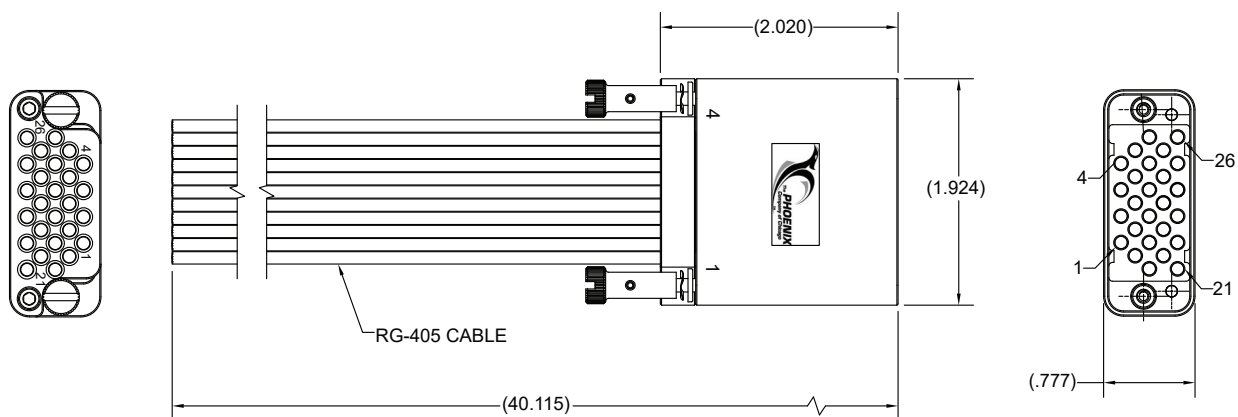


Leading Blindmate Microwave Contact Technology

[www.phoenixofchicago.com](http://www.phoenixofchicago.com)

# PRX HARNESSES

## PRX PLUG HARNESS

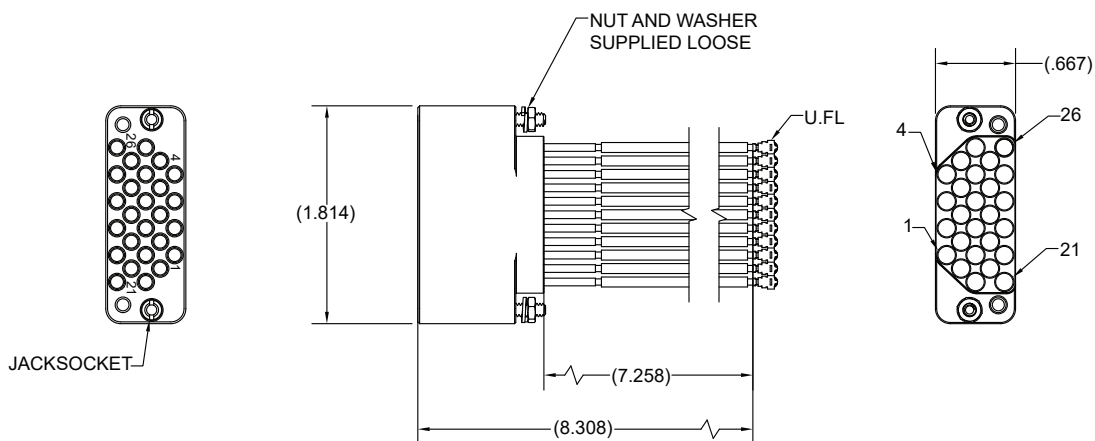


**PART NUMBER: PRX26PD64BC394A**

Description: PRX Plug Harness 26 Position, Size 16 PkZ Contacts on RG-405 Cables, 1 Meter to Blunt-Cut End.

Harnesses are Available in a Variety of Lengths on 1.37mm, RG-178, 316, 405, .047", and Custom Cables Blunt-Cut or Terminated to Selected Connectors.

## PRX RECEPTACLE HARNESS



**PART NUMBER: PRX26RDDYAV079A**

Description: PRX Receptacle Panel Mount Harness, 26 Position, Size 16 PkZ Contacts on 1.37mm Cables to U.FL.

Harnesses are Available in a Variety of Lengths on 1.37mm, RG-178, 316, 405, .047", and Custom Cables Blunt-Cut or Terminated to Selected Connectors.

LEARN MORE

