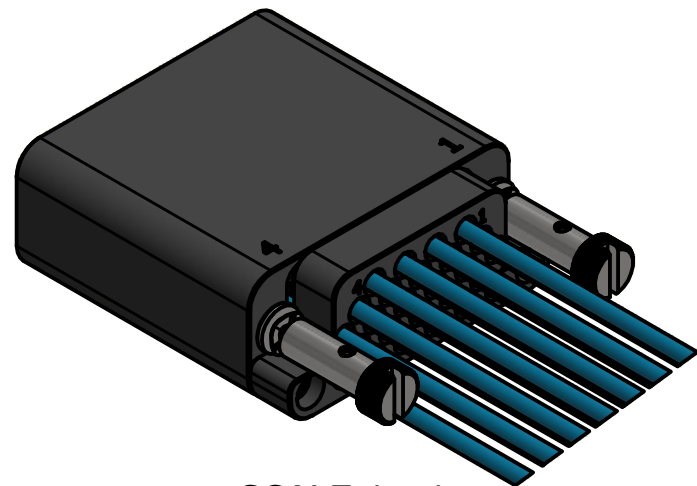
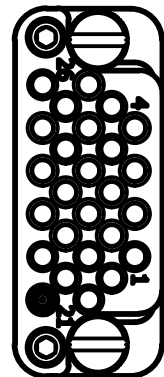
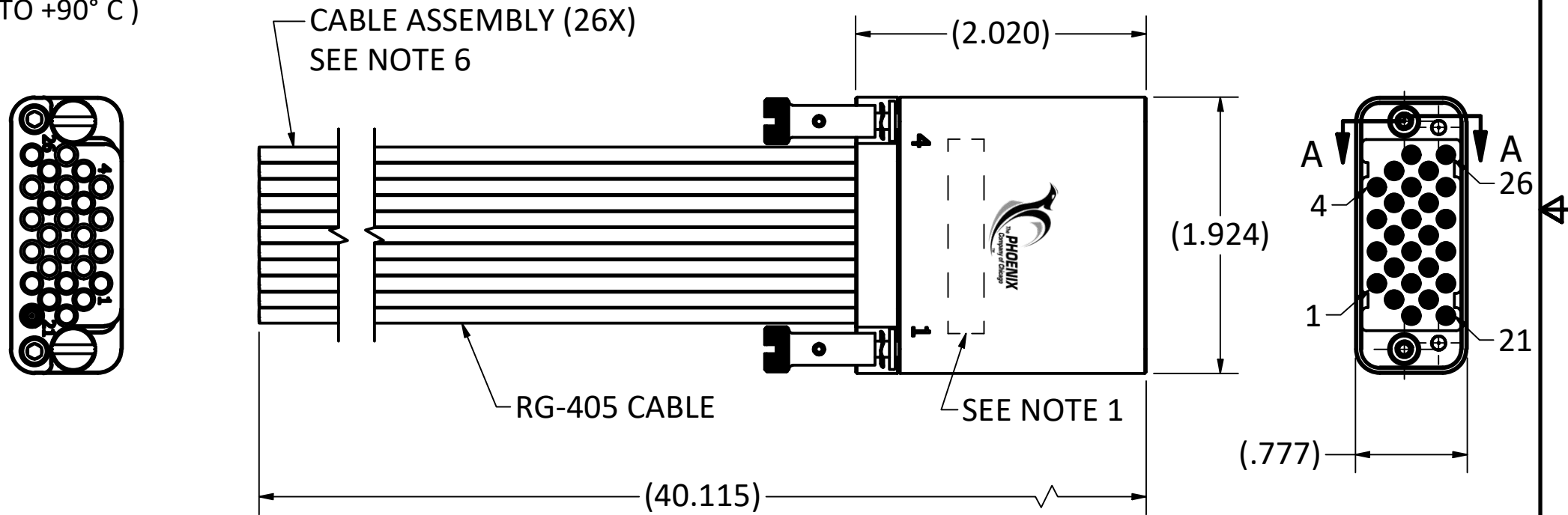
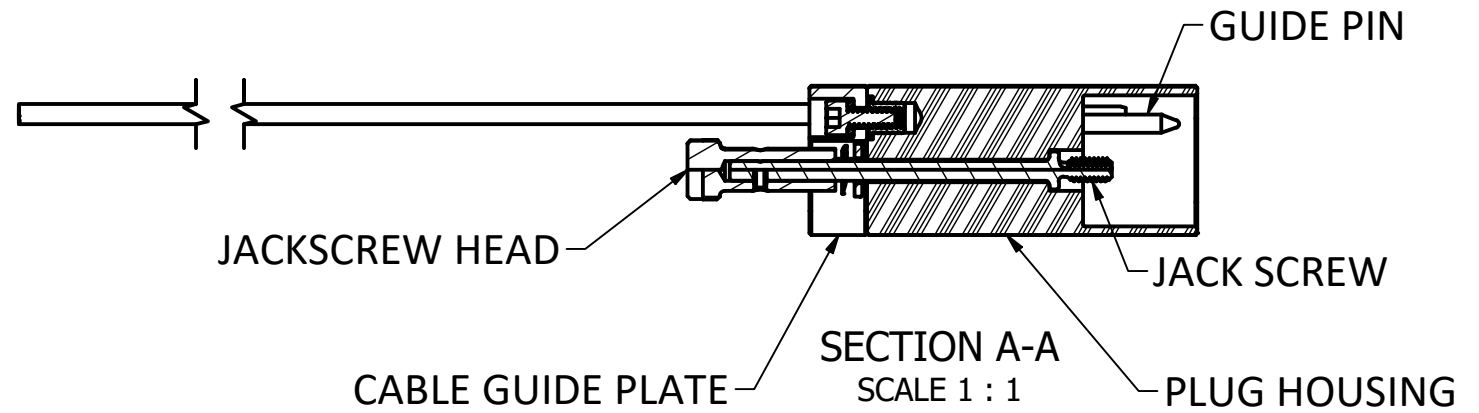


SPECIFICATIONS:

1. PART NUMBER: PRX26PD64BC394A & DATE CODE
2. MATERIALS:
 - a) HOUSING & GUIDE PLATE: ACETAL, COLOR: BLACK
 - b) HOUSING HARDWARE: STAINLESS STEEL
 - c) GUIDE PINS: STAINLESS STEEL
3. HARDWARE FINISHES: PASSIVATED
GUIDE PINS: PASSIVATED
4. ELECTRICAL PROPERTIES (APPLIES TO HOUSING ONLY):
 - a) DIELECTRIC STRENGTH: 1,000 VOLTS RMS AT SEA LEVEL;
325 VOLTS RMS AT 70,000 FEET
 - b) INSULATION RESISTANCE: 1 MEGOHM MINIMUM
5. ENVIRONMENTAL PROPERTIES:
OPERATING TEMPERATURE: -40° F TO +194° F (-40° C TO +90° C)
6. RF CABLE ASSEMBLY SPECIFICATIONS:
 - a) IMPEDANCE 50 OHMS
 - b) HI-POT & CONTINUITY TEST 100%
 - c) PKZ SPECIFICATIONS PER IDS-156
 - d) FREQUENCY: DC TO 18 GHz



SCALE 1 : 1

A	ECN 14483 RELEASE	2/10/2025	DW
REV	DESCRIPTION	DATE	APPROVAL

This drawing embodies a proprietary design of The Phoenix Company of Chicago, Inc., Naugatuck, CT 06770. All design, manufacturing, reproduction, use, sale, and other rights regarding the same are expressly reserved. The information in this drawing may be covered completely or in part by patents and/or patents pending.

WARNING - THIS DOCUMENT CONTAINS TECHNICAL DATA WHOSE EXPORT IS RESTRICTED BY THE ARMS EXPORT CONTROL ACT (TITLE 22, U.S.C., SEC 2751, ET. SEQ.) OR THE EXPORT ADMINISTRATION ACT OF 1979, AS AMENDED, TITLE 50, U.S.C., APP 2401 ET SEQ. VIOLATIONS OF THESE EXPORT LAWS ARE SUBJECT TO SEVERE CRIMINAL PENALTIES. DISSEMINATE IN ACCORDANCE WITH PROVISIONS OF DOD DIRECTIVE 5230.25.

UNLESS OTHERWISE SPECIFIED, PHOENIX WORKMANSHIP STANDARDS APPLY DIMENSIONS IN INCHES OR [METRIC]
DO NOT SCALE PRINTS
TOLERANCES ARE:
FRACTIONS: ± 1/64
DECIMALS: .XX ± .01
.XXX ± .003
ANGLES: ± 1/2°

APPROVALS	DATE
DRAWN KKC	11/26/2024
CHECKED AH	2/6/2025
QA	
MFG	
ENGINEER SJG	2/6/2025
APPROVED DW	2/7/2025

The PHOENIX Company of Chicago, Inc.

22 GREAT HILL RD., NAUGATUCK, CT 06770
WWW.PHOENIXOFCHICAGO.COM
PHONE: (800) 323-9562 FAX:(630) 206-1801

TITLE
**PRX PLUG HARNESS 26 POSITION, SIZE 16
PkZ® TO BLUNT CUT ON RG-405 CABLE**

SIZE B	FSCM 58167	DWG NO PRX26PD64BC394A	REV A	PLATING OPT.
SCALE 1 : 1		F.S.R. #	SHEET 1 OF 1	