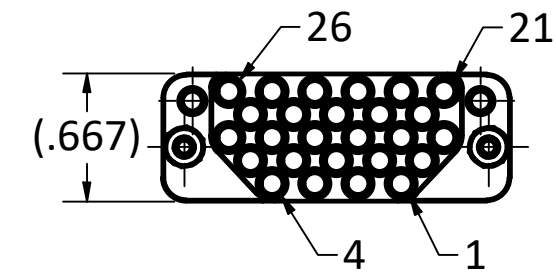


4

3

2

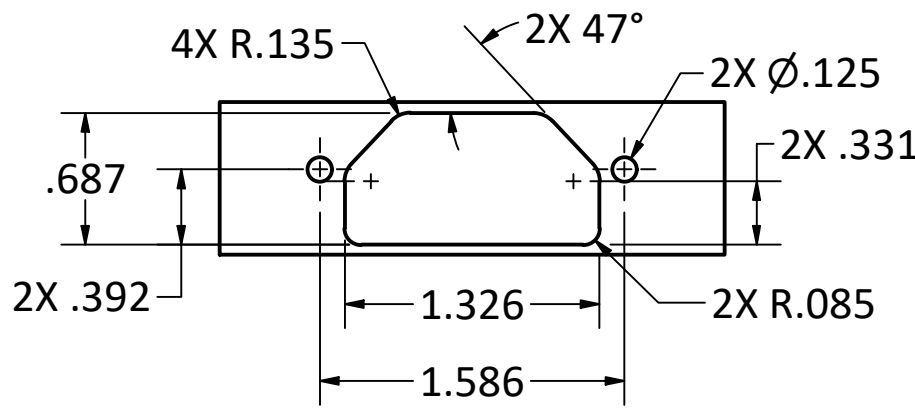
1



**SPECIFICATIONS:**

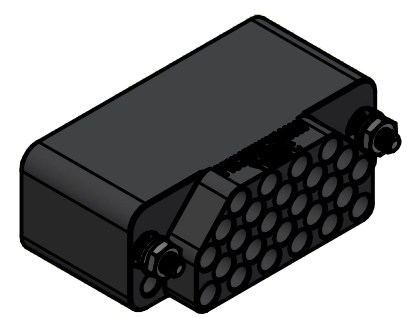
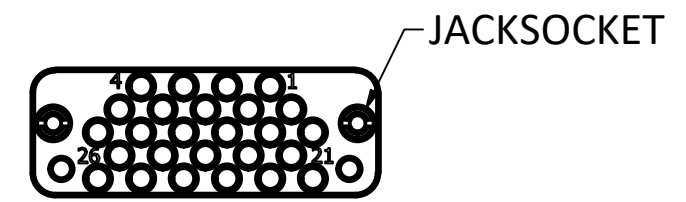
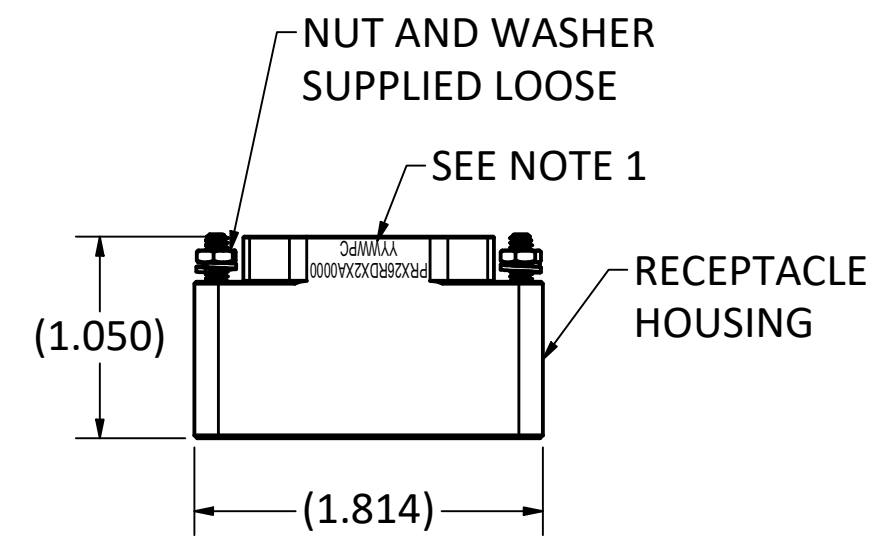
1. PART NUMBER PRX26RDX2XA0000 AND DATE CODE FORMAT YYWWPC WITH PHOENIX DESIGNATOR.
2. MATERIALS:
  - a) HOUSING: ACETAL, COLOR: BLACK
  - b) HOUSING HARDWARE: STAINLESS STEEL
3. HARDWARE FINISHES: PASSIVATED
4. ELECTRICAL PROPERTIES:
  - a) DIELECTRIC STRENGTH: 1,000 VOLTS RMS AT SEA LEVEL; 325 VOLTS RMS AT 70,000 FEET
  - b) INSULATION RESISTANCE: 1 MEGOHM MINIMUM
5. ENVIRONMENTAL PROPERTIES:
 

OPERATING TEMPERATURE: -40° F TO +194° F ( -40° C TO +90° C )



**RECOMMENDED PANEL MOUNTING CUT OUT**

SCALE 1 : 1



SCALE 1 : 1

|     |                   |           |          |
|-----|-------------------|-----------|----------|
| B   | PER ECN 14575     | 1/15/2026 | DRW      |
| A   | ECN 14483 RELEASE | 2/10/2025 | DW       |
| REV | DESCRIPTION       | DATE      | APPROVAL |

This drawing embodies a proprietary design of The Phoenix Company of Chicago, Inc., Naugatuck, CT 06770. All design, manufacturing, reproduction, use, sale, and other rights regarding the same are expressly reserved. The information in this drawing may be covered completely or in part by patents and/or patents pending.

WARNING - THIS DOCUMENT CONTAINS TECHNICAL DATA WHOSE EXPORT IS RESTRICTED BY THE ARMS EXPORT CONTROL ACT (TITLE 22, U.S.C., SEC 2751, ET. SEQ.) OR THE EXPORT ADMINISTRATION ACT OF 1979, AS AMENDED, TITLE 50, U.S.C., APP 2401 ET SEQ. VIOLATIONS OF THESE EXPORT LAWS ARE SUBJECT TO SEVERE CRIMINAL PENALTIES. DISSEMINATE IN ACCORDANCE WITH PROVISIONS OF DOD DIRECTIVE 5230.25.

|   |               |            |
|---|---------------|------------|
| UNLESS OTHERWISE SPECIFIED, PHOENIX WORKMANSHIP STANDARDS APPLY DIMENSIONS IN INCHES OR [METRIC]<br><br>DO NOT SCALE PRINTS<br><br>TOLERANCES ARE:<br>FRACTIONS: ± 1/64<br>DECIMALS: .XX ± .01<br>.XXX ± .003<br>ANGLES: ± 1/2° | APPROVALS     | DATE       |
|   | DRAWN<br>KJC  | 12/10/2024 |
|   | CHECKED<br>AH | 2/6/2025   |
|   | QA            |            |
|   | MFG           |            |
| ENGINEER<br>SJG   | 2/6/2025      |            |
| APPROVED<br>DW  | 2/7/2025      |            |

**The PHOENIX Company of Chicago, Inc.**  
 22 GREAT HILL RD., NAUGATUCK, CT 06770  
 WWW.PHOENIXOFCHICAGO.COM  
 PHONE: (800) 323-9562 FAX:(630) 206-1801

TITLE  
**PRX RECEPTACLE PANEL MOUNT HOUSING ASSEMBLY, 26 POSITION, SIZE 16**

|             |               |                                  |              |              |
|-------------|---------------|----------------------------------|--------------|--------------|
| SIZE<br>B   | FSCM<br>58167 | DWG NO<br><b>PRX26RDX2XA0000</b> | REV<br>B     | PLATING OPT. |
| SCALE 1 : 1 |               | F.S.R. #                         | SHEET 1 OF 1 |              |

4

3

2

1