

PX16 HARNESSES

High Density Microwave
for PXIe



FEATURES

- 53-Pin Configuration
- Backshell-Free Design
- Easy Jacking Engagement/Disengagement
- Enhanced Contact Stability
- Size-16 PkZ[®] Contacts Pre-Cabled
- 300 MHz to 67 GHz
- Variety of 50 Ohm Cables
- Constant Impedance over a Broad Axial Mating Tolerance
- Single PXI Slot Efficiency

APPLICATIONS

- PXIe Instrument Modules
- Test & Measurement
- Broadcast
- Medical
- Military

SPECIFICATIONS

MATERIALS AND FINISHES

HOUSINGS & CABLE GUIDE PLATES

- Housing: Acetal, Black
- Hardware: Stainless Steel, Passivated
- Guide Pins: Stainless Steel, Passivated

PKZ CONTACTS

- Bodies: Brass Per ASTM B16, Gold Over Nickel
- Contacts: Beryllium Copper Per ASTM B196
Or Brass Per ASTM B16, Gold Over Nickel
- Insulators: Virgin Teflon (PTFE) Per ASTM D1710

ELECTRICAL

HOUSINGS

- Dielectric: 1,000 Volts RMS at Sea Level

PKZ CONTACTS

- Impedance: 50 Ohms
- Frequency: Up to 67 GHz
- Axial Mating: .050"
- Cable Groups: 1.37mm, RG-178, 316, 405, .047", Custom

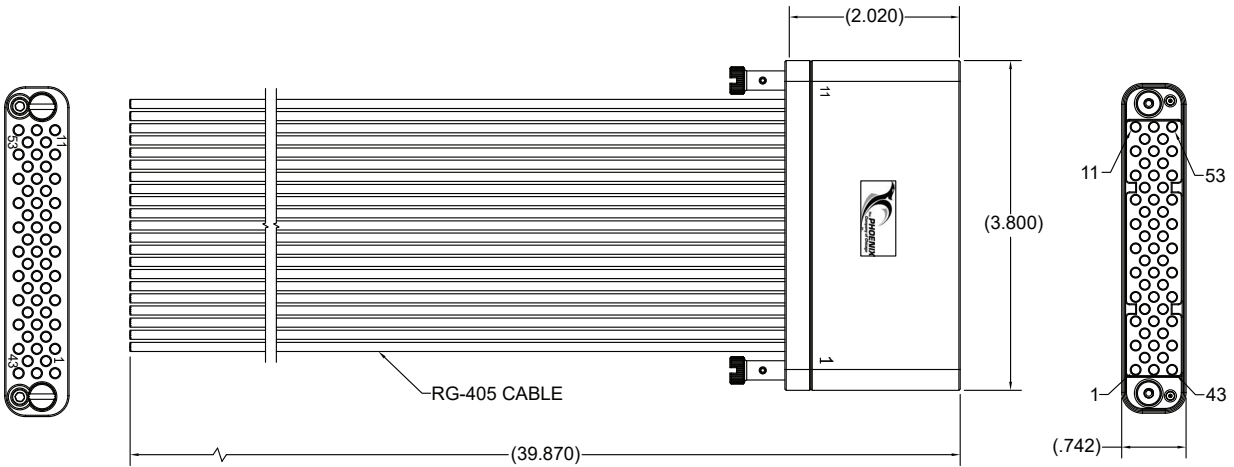


Leading Blindmate Microwave Contact Technology

www.phoenixofchicago.com

PX16 HARNESSSES

PX16 PLUG HARNESS

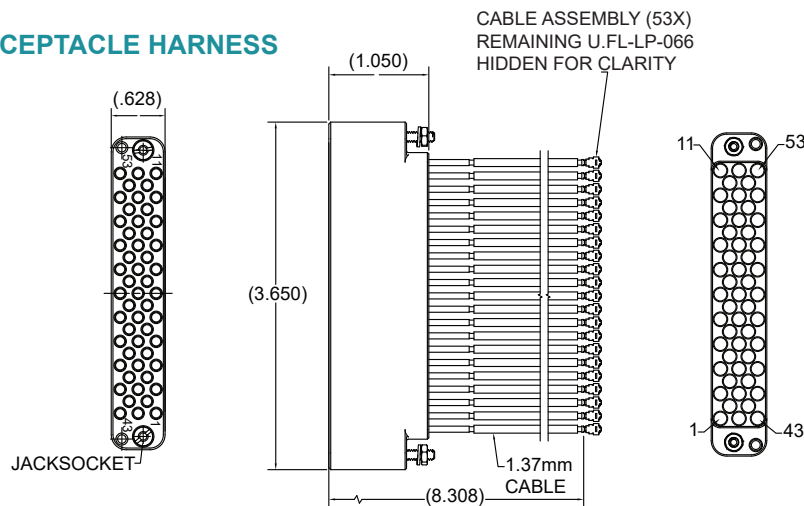


PART NUMBER: PX16FPD64BC394A

Description: PX16 Plug Harness 53 Position, Size 16 PkZ Contacts on RG-405 Cables, 1 Meter to Blunt-Cut End.

Harnesses are Available in a Variety of Lengths on 1.37mm, RG-178, 316, 405, .047", and Custom Cables Blunt-Cut or Terminated to Selected Connectors.

PX16 RECEPTACLE HARNESS



PART NUMBER: PX16FRDDYAV200C

Description: PX Receptacle Panel Mount Harness, 53 Position, Size 16 PkZ Contacts on 1.37mm Cables to U.FL.

Harnesses are Available in a Variety of Lengths on 1.37mm, RG-178, 316, 405, .047", and Custom Cables Blunt-Cut or Terminated to Selected Connectors.

LEARN MORE

