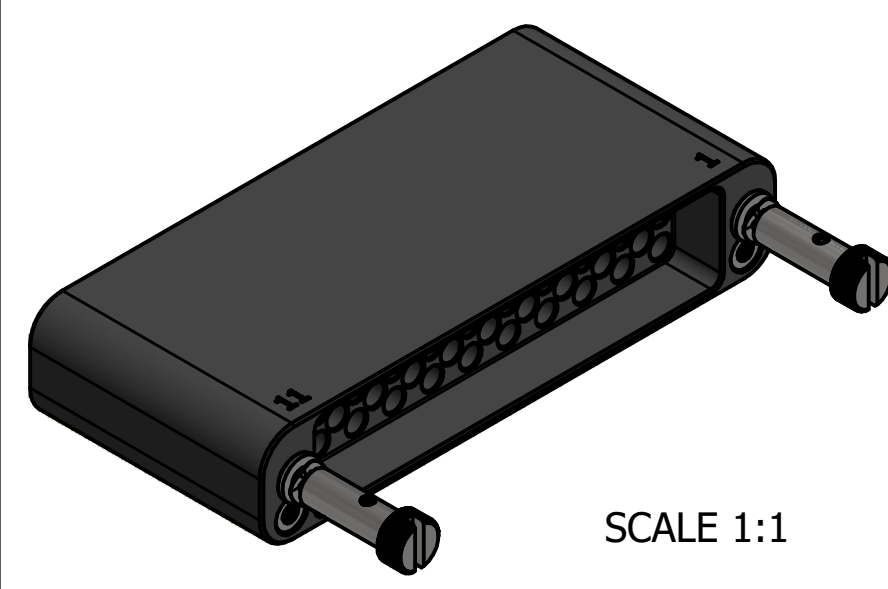
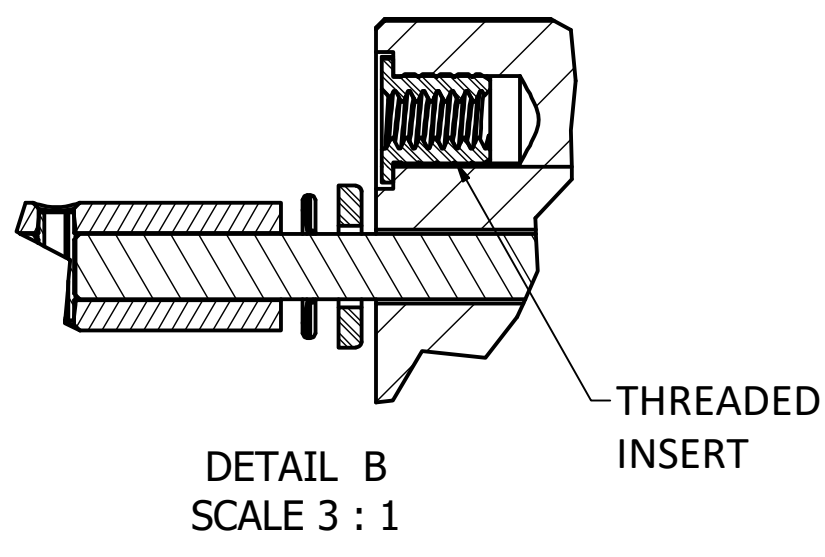


- SPECIFICATIONS:**
- PART NUMBER: PX16FPDX0XA0000 AND DATE CODE.
 - MATERIALS:
 - HOUSING: ACETAL, COLOR: BLACK.
 - HOUSING HARDWARE: STAINLESS STEEL.
 - GUIDE PINS: STAINLESS STEEL.
 - HARDWARE FINISHES: PASSIVATED.
GUIDE PINS: PASSIVATED.
 - ELECTRICAL PROPERTIES:
 - DIELECTRIC STRENGTH: 1,000 VOLTS RMS AT SEA LEVEL;
325 VOLTS RMS AT 70,000 FEET.
 - INSULATION RESISTANCE: 1 MEGOHM MINIMUM.
 - ENVIRONMENTAL PROPERTIES:
OPERATING TEMPERATURE: -40° F TO +194° F (-40° C TO +90° C).
 - A CABLE GUIDE PLATE (ORDERED SEPARATELY) MUST BE USED FOR PROPER CABLE MANAGEMENT AND MATING.



MATERIAL:		<p>WARNING - THIS DOCUMENT CONTAINS TECHNICAL DATA WHOSE EXPORT IS RESTRICTED BY THE ARMS EXPORT CONTROL ACT (TITLE 22, U.S.C., SEC 2751, ET. SEQ.) OR THE EXPORT ADMINISTRATION ACT OF 1979, AS AMENDED, TITLE 50, U.S.C., APP 2401 ET SEQ. VIOLATIONS OF THESE EXPORT LAWS ARE SUBJECT TO SEVERE CRIMINAL PENALTIES. DISSEMINATE IN ACCORDANCE WITH PROVISIONS OF DOD DIRECTIVE 5230.25.</p> <p>This drawing embodies a proprietary design of The Phoenix Company of Chicago, Inc., Naugatuck, CT 06770. All design, manufacturing, reproduction, use, sale, and other rights regarding the same are expressly reserved. The information in this drawing may be covered completely or in part by patents and/or patents pending.</p>		<p>UNLESS OTHERWISE SPECIFIED, PALCO WORKMANSHIP STANDARDS APPLY DIMENSIONS IN INCHES OR [METRIC]</p> <p>DO NOT SCALE PRINTS</p> <p>TOLERANCES ARE: FRACTIONS: ± 1/64 DECIMALS: .XX ± .01 .XXX ± .003 ANGLES: ± 1/2°</p>		<p>The PHOENIX Company of Chicago, Inc.</p> <p>22 GREAT HILL RD., NAUGATUCK, CT 06770 WWW.PHOENIXOFCHICAGO.COM PHONE: (800) 323-9562 FAX:(630) 206-1801</p>																				
		<table border="1"> <thead> <tr> <th>APPROVALS</th> <th>DATE</th> </tr> </thead> <tbody> <tr> <td>DRAWN BP</td> <td>11/15/2024</td> </tr> <tr> <td>CHECKED AH</td> <td>2/21/2025</td> </tr> <tr> <td>QA</td> <td></td> </tr> <tr> <td>MFG</td> <td></td> </tr> <tr> <td>ENGINEER SJK</td> <td>2/21/2025</td> </tr> <tr> <td>APPROVED AH</td> <td>2/21/2025</td> </tr> </tbody> </table>		APPROVALS	DATE	DRAWN BP	11/15/2024	CHECKED AH	2/21/2025	QA		MFG		ENGINEER SJK	2/21/2025	APPROVED AH	2/21/2025	<p>TITLE</p> <p>PX 53-POS PLUG HOUSING FOR SIZE 16 CONTACTS</p>								
APPROVALS	DATE																									
DRAWN BP	11/15/2024																									
CHECKED AH	2/21/2025																									
QA																										
MFG																										
ENGINEER SJK	2/21/2025																									
APPROVED AH	2/21/2025																									
<table border="1"> <thead> <tr> <th>REV.</th> <th>DESCRIPTION</th> <th>DATE</th> <th>APPROVAL</th> </tr> </thead> <tbody> <tr> <td>A</td> <td>RELEASED PER ECN 14487</td> <td>2/21/2025</td> <td>AH</td> </tr> </tbody> </table>		REV.	DESCRIPTION	DATE	APPROVAL	A	RELEASED PER ECN 14487	2/21/2025	AH	<table border="1"> <tr> <td>SIZE</td> <td>FSCM</td> <td>DWG NO</td> <td>REV</td> <td>PLATING OPT.</td> </tr> <tr> <td>C</td> <td>58167</td> <td>PX16FPDX0XA0000</td> <td>A</td> <td></td> </tr> <tr> <td>SCALE</td> <td>1.5 : 1</td> <td>F.S.R. #</td> <td>SHEET</td> <td>1 OF 1</td> </tr> </table>		SIZE	FSCM	DWG NO	REV	PLATING OPT.	C	58167	PX16FPDX0XA0000	A		SCALE	1.5 : 1	F.S.R. #	SHEET	1 OF 1
REV.	DESCRIPTION	DATE	APPROVAL																							
A	RELEASED PER ECN 14487	2/21/2025	AH																							
SIZE	FSCM	DWG NO	REV	PLATING OPT.																						
C	58167	PX16FPDX0XA0000	A																							
SCALE	1.5 : 1	F.S.R. #	SHEET	1 OF 1																						