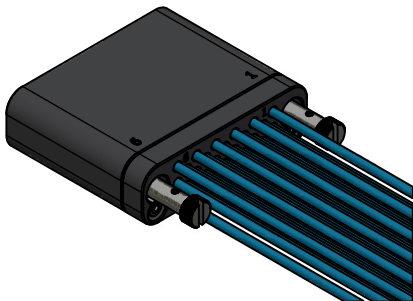
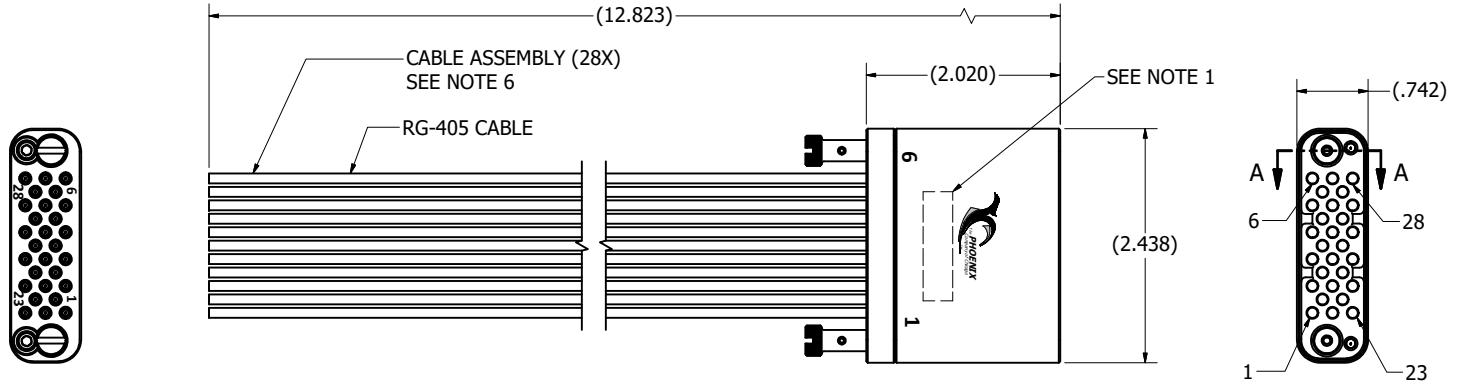
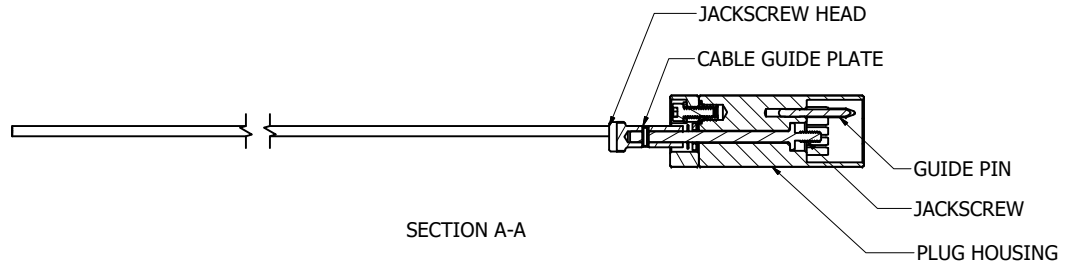


SPECIFICATIONS:

1. PART NUMBER: PX16HPD64BC394A AND DATE CODE.
2. MATERIALS:
 - a) HOUSING & GUIDE PLATE: ACETAL, COLOR: BLACK.
 - b) HARDWARE (JACKSCREWS, JACKSCREW HEADS, SCREWS, SPRING PINS, INSERTS AND WASHERS): STAINLESS STEEL.
 - c) GUIDE PINS: STAINLESS STEEL.
3. FINISHES:
 - a) HOUSING: NONE.
 - b) HARDWARE: PASSIVATED.
 - c) GUIDE PINS: PASSIVATED.
4. ELECTRICAL PROPERTIES (APPLIES TO HOUSING ONLY):
 - a) DIELECTRIC STRENGTH: 1,000 VOLTS RMS AT SEA LEVEL;
325 VOLTS RMS AT 70,000 FEET.
 - b) INSULATION RESISTANCE: 1 MEGOHM MINIMUM.
5. ENVIRONMENTAL PROPERTIES:
 - OPERATING TEMPERATURE: -40° F TO +194° F (-40° C TO +90° C).
6. RF CABLE ASSY SPECIFICATIONS:
 - a) IMPEDANCE 50 OHMS.
 - b) HI-POT & CONTINUITY TEST 100%.
 - c) PKZ® SPECIFICATIONS PER IDS-156.
 - d) FREQUENCY: DC TO 18 GHz.



MATERIAL:		WARNING - THIS DOCUMENT CONTAINS TECHNICAL DATA WHOSE EXPORT IS RESTRICTED BY THE ARMS EXPORT CONTROL ACT (TITLE 22, U.S.C., SEC 2751, ET. SEQ.) OR THE EXPORT ADMINISTRATION ACT OF 1979, AS AMENDED, TITLE 50, U.S.C., APP 2401 ET SEQ. VIOLATIONS OF THESE EXPORT LAWS ARE SUBJECT TO SEVERE CRIMINAL PENALTIES. DISSEMINATE IN ACCORDANCE WITH PROVISIONS OF DOD DIRECTIVE 5230.25. This drawing embodies a proprietary design of The Phoenix Company of Chicago, Inc., Naugatuck, CT 06770. All design, manufacturing, reproduction, use, sale, and other rights regarding the same are expressly reserved. The information in this drawing may be covered completely or in part by patents and/or patents pending.		The PHOENIX Company of Chicago, Inc. 22 GREAT HILL RD., NAUGATUCK, CT 06770 WWW.PHOENIXOFCHICAGO.COM PHONE: (800) 323-9562 FAX:(630) 206-1801	
UNLESS OTHERWISE SPECIFIED, PALCO WORKMANSHIP STANDARDS APPLY DIMENSIONS IN INCHES OR [METRIC]		DO NOT SCALE PRINTS		TOLERANCES ARE: FRACTIONS: ± 1/64 DECIMALS: .XX ± .01 .XXX ± .003 ANGLES: ± 1/2°	
		APPROVALS DRAWN BP 2/27/2025 CHECKED AH 2/5/2025 QA MFG ENGINEER BP 2/5/2025 APPROVED DW 3/5/2025		DATE 2/27/2025 2/5/2025	
		TITLE PX PLUG HARNESS; 28 POS, SIZE 16 PKZ® TO BLUNT CUT ON RG-405 CABLE		SIZE C FSCM 58167 DWG NO PX16HPD64BC394A REV A PLATING OPT.	
A. REV. DESCRIPTION DATE APPROVAL 1. RELEASED PER ECN 1494 3/5/2025 DW		SCALE 1 : 1 F.S.R. #		SHEET 1 OF 1	