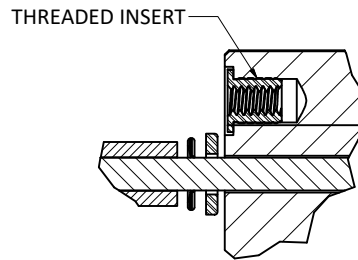


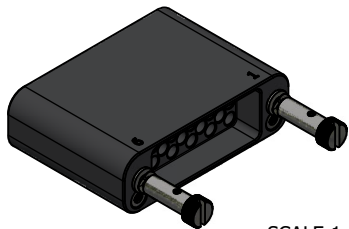
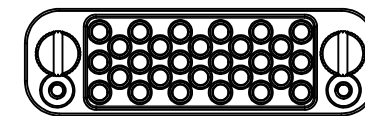
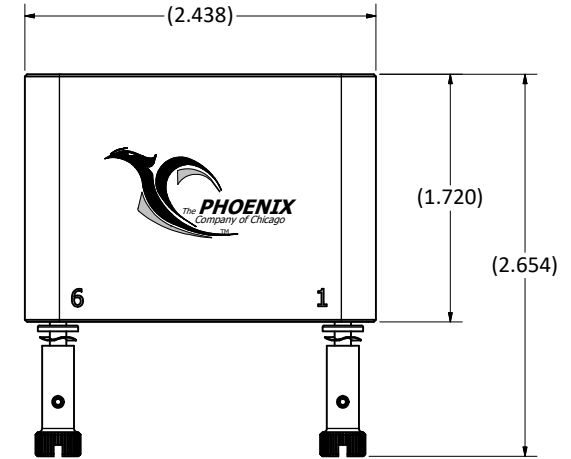
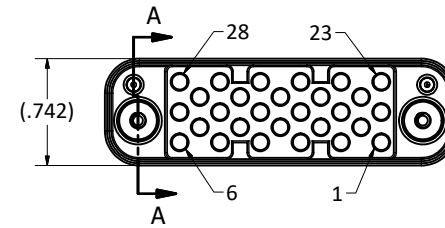
SECTION A-A



DETAIL B
SCALE 3 : 1

SPECIFICATIONS:

1. PART NUMBER: PX16HPDX0XA0000
2. MATERIALS:
 - a) HOUSING: ACETAL, COLOR: BLACK.
 - b) HOUSING HARDWARE: STAINLESS STEEL.
 - c) GUIDE PINS: STAINLESS STEEL.
3. HARDWARE FINISHES: PASSIVATED.
GUIDE PINS: PASSIVATED.
4. ELECTRICAL PROPERTIES:
 - a) DIELECTRIC STRENGTH: 1,000 VOLTS RMS AT SEA LEVEL;
325 VOLTS RMS AT 70,000 FEET.
 - b) INSULATION RESISTANCE: 1 MEGOHM MINIMUM.
5. ENVIRONMENTAL PROPERTIES:
OPERATING TEMPERATURE: -40° F TO +194° F (-40° C TO +90° C).
6. A CABLE GUIDE PLATE (ORDERED SEPARATELY) MUST BE USED FOR PROPER CABLE MANAGEMENT AND MATING.



SCALE 1 : 1

MATERIAL:		WARNING - THIS DOCUMENT CONTAINS TECHNICAL DATA WHOSE EXPORT IS RESTRICTED BY THE ARMS EXPORT CONTROL ACT (TITLE 22, U.S.C., SEC 2751, ET. SEQ.) OR THE EXPORT ADMINISTRATION ACT OF 1979, AS AMENDED, TITLE 50, U.S.C., APP 2401 ET SEQ. VIOLATIONS OF THESE EXPORT LAWS ARE SUBJECT TO SEVERE CRIMINAL PENALTIES. DISSEMINATE IN ACCORDANCE WITH PROVISIONS OF DOD DIRECTIVE 5230.25. This drawing embodies a proprietary design of The Phoenix Company of Chicago, Inc., Naugatuck, CT 06770. All design, manufacturing, reproduction, use, sale, and other rights regarding the same are expressly reserved. The information in this drawing may be covered completely or in part by patents and/or patents pending.		UNLESS OTHERWISE SPECIFIED, PALCO WORKMANSHIP STANDARDS APPLY DIMENSIONS IN INCHES OR [METRIC] DO NOT SCALE PRINTS TOLERANCES ARE: FRACTIONS: ± 1/64 DECIMALS: .XX ± .01 .XXX ± .003 ANGLES: ± 1/2°		The PHOENIX Company of Chicago, Inc. 22 GREAT HILL RD., NAUGATUCK, CT 06770 WWW.PHOENIXOFCHICAGO.COM PHONE: (800) 323-9562 FAX: (630) 206-1801	
		APPROVALS DATE DRAWN BP 11/20/2024 CHECKED AH 2/6/2025 QA MFG		TITLE PX 28-POS PLUG HOUSING FOR SIZE 16 CONTACTS			
		ENGINEER BP 2/6/2025 APPROVED DW 3/5/2025		SIZE FSCM DWG NO REV PLATING OPT. C 58167 PX16HPDX0XA0000 A			
A. REV. RELEASED PER ECN 1494 3/5/2025 DW		SCALE 1.5 : 1 F.S.R. # SHEET 1 OF 1					