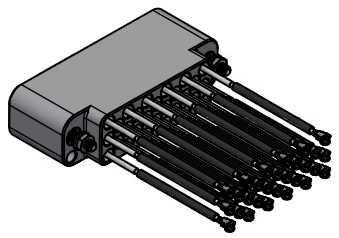
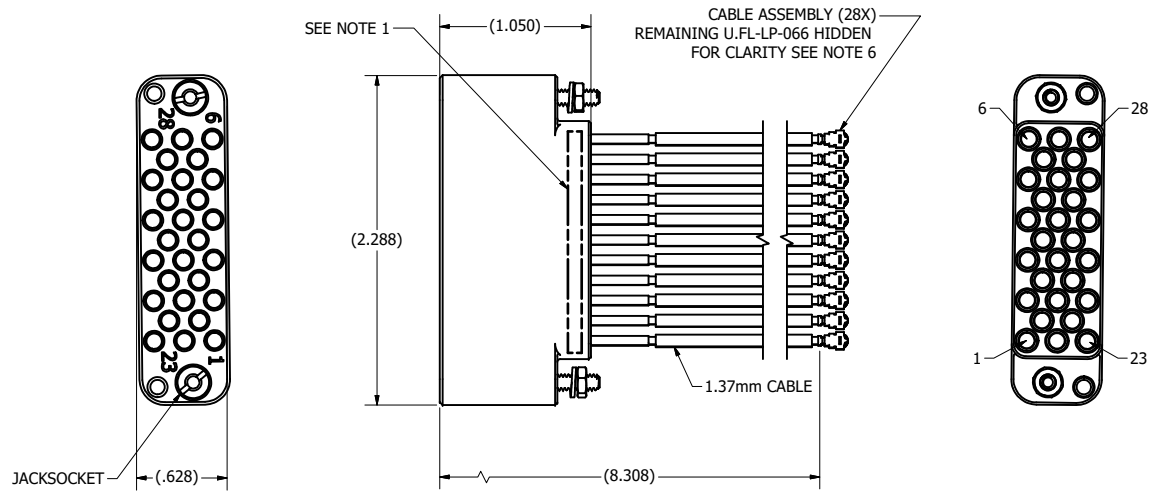
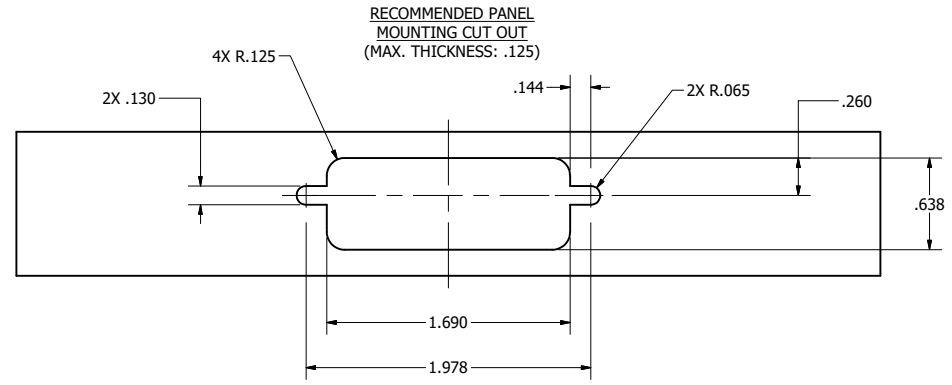


SPECIFICATIONS:

1. PART NUMBER: PX16HRDDYAV200C AND DATE CODE
2. MATERIALS:
 - a) HOUSING: ACETAL, COLOR: BLACK
 - b) HARDWARE (JACKSOCKETS, NUTS AND WASHERS): STAINLESS STEEL
3. HARDWARE FINISHES: PASSIVATED.
4. ELECTRICAL PROPERTIES (APPLIES TO HOUSING ONLY):
 - a) DIELECTRIC STRENGTH: 1,000 VOLTS RMS AT SEA LEVEL;
325 VOLTS RMS AT 70,000 FEET.
 - b) INSULATION RESISTANCE: 1 MEGOHM MINIMUM.
5. ENVIRONMENTAL PROPERTIES:
 - OPERATING TEMPERATURE: -40° F TO +194° F (-40° C TO +90° C).
6. CABLE ASSEMBLY SPECIFICATIONS:
 - a) IMPEDANCE 50 OHMS
 - b) HI-POT & CONTINUITY TEST 100%.
 - c) PKZ SPECIFICATIONS PER IDS-156.
 - d) FREQUENCY: DC TO 6 GHz



SCALE 1 : 1

MATERIAL:		WARNING - THIS DOCUMENT CONTAINS TECHNICAL DATA WHOSE EXPORT IS RESTRICTED BY THE ARMS EXPORT CONTROL ACT (TITLE 22, U.S.C., SEC 2751, ET. SEQ.) OR THE EXPORT ADMINISTRATION ACT OF 1979, AS AMENDED, TITLE 50, U.S.C., APP 2401 ET SEQ. VIOLATIONS OF THESE EXPORT LAWS ARE SUBJECT TO SEVERE CRIMINAL PENALTIES. DISSEMINATE IN ACCORDANCE WITH PROVISIONS OF DOD DIRECTIVE 5230.25. This drawing embodies a proprietary design of The Phoenix Company of Chicago, Inc., Naugatuck, CT 06770. All design, manufacturing, reproduction, use, sale, and other rights regarding the same are expressly reserved. The information in this drawing may be covered completely or in part by patents and/or patents pending.		The PHOENIX Company of Chicago, Inc. 22 GREAT HILL RD., NAUGATUCK, CT 06770 WWW.PHOENIXOFCHICAGO.COM PHONE: (800) 323-9562 FAX:(630) 206-1801																							
		UNLESS OTHERWISE SPECIFIED, PALCO WORKMANSHIP STANDARDS APPLY DIMENSIONS IN INCHES OR [METRIC] DO NOT SCALE PRINTS TOLERANCES ARE: FRACTIONS: ± 1/64 DECIMALS: .XX ± .01 .XXX ± .003 ANGLES: ± 1/2°		<table border="1"> <thead> <tr> <th>APPROVALS</th> <th>DATE</th> </tr> </thead> <tbody> <tr> <td>DRAWN WP</td> <td>9/25/2024</td> </tr> <tr> <td>CHECKED AH</td> <td>9/25/2024</td> </tr> <tr> <td>QA</td> <td></td> </tr> <tr> <td>MFG</td> <td></td> </tr> <tr> <td>ENGINEER</td> <td></td> </tr> <tr> <td>APPROVED DW</td> <td>3/5/2025</td> </tr> </tbody> </table>		APPROVALS	DATE	DRAWN WP	9/25/2024	CHECKED AH	9/25/2024	QA		MFG		ENGINEER		APPROVED DW	3/5/2025								
APPROVALS	DATE																										
DRAWN WP	9/25/2024																										
CHECKED AH	9/25/2024																										
QA																											
MFG																											
ENGINEER																											
APPROVED DW	3/5/2025																										
		<table border="1"> <tr> <td colspan="2">TITLE</td> <td>REV</td> <td>PLATING OPT.</td> </tr> <tr> <td colspan="2">PX RECEPTABLE PANEL MOUNT HARNESS, 28 POSITION, SIZE 16 PkZ® TO U.FL ON 1.37 CABLE</td> <td>A</td> <td></td> </tr> <tr> <td>SIZE</td> <td>FSCM</td> <td>DWG NO</td> <td></td> </tr> <tr> <td>C</td> <td>58167</td> <td>PX16HRDDYAV200C</td> <td></td> </tr> <tr> <td>SCALE</td> <td>1.5 : 1</td> <td>F.S.R. #</td> <td></td> </tr> <tr> <td colspan="2">SHEET 1</td> <td colspan="2">OF 1</td> </tr> </table>		TITLE		REV	PLATING OPT.	PX RECEPTABLE PANEL MOUNT HARNESS, 28 POSITION, SIZE 16 PkZ® TO U.FL ON 1.37 CABLE		A		SIZE	FSCM	DWG NO		C	58167	PX16HRDDYAV200C		SCALE	1.5 : 1	F.S.R. #		SHEET 1		OF 1	
TITLE		REV	PLATING OPT.																								
PX RECEPTABLE PANEL MOUNT HARNESS, 28 POSITION, SIZE 16 PkZ® TO U.FL ON 1.37 CABLE		A																									
SIZE	FSCM	DWG NO																									
C	58167	PX16HRDDYAV200C																									
SCALE	1.5 : 1	F.S.R. #																									
SHEET 1		OF 1																									
<table border="1"> <thead> <tr> <th>REV.</th> <th>DESCRIPTION</th> <th>DATE</th> <th>APPROVAL</th> </tr> </thead> <tbody> <tr> <td>A</td> <td>RELEASED PER ECN 14994</td> <td>3/5/2025</td> <td>DW</td> </tr> </tbody> </table>		REV.	DESCRIPTION	DATE	APPROVAL	A	RELEASED PER ECN 14994	3/5/2025	DW																		
REV.	DESCRIPTION	DATE	APPROVAL																								
A	RELEASED PER ECN 14994	3/5/2025	DW																								