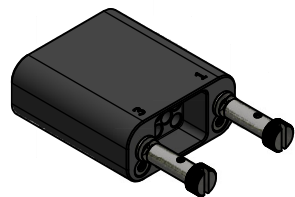
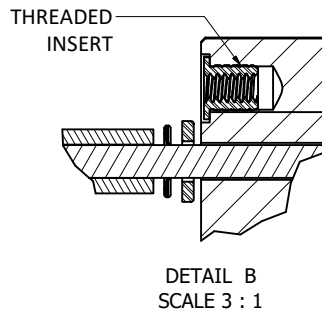


SPECIFICATIONS:

1. PART NUMBER: PX16QPDXXA0000
2. MATERIALS:
 - a) HOUSING: ACETAL, COLOR: BLACK.
 - b) HOUSING HARDWARE: STAINLESS STEEL.
 - c) GUIDE PINS: STAINLESS STEEL.
3. HARDWARE FINISHES: PASSIVATED.
GUIDE PINS: PASSIVATED.
4. ELECTRICAL PROPERTIES:
 - a) DIELECTRIC STRENGTH: 1,000 VOLTS RMS AT SEA LEVEL;
325 VOLTS RMS AT 70,000 FEET.
 - b) INSULATION RESISTANCE: 1 MEGOHM MINIMUM.
5. ENVIRONMENTAL PROPERTIES:
OPERATING TEMPERATURE: -40° F TO +194° F (-40° C TO +90° C).
6. A CABLE GUIDE PLATE (ORDERED SEPARATELY) MUST BE USED FOR PROPER CABLE MANAGEMENT AND MATING.



SCALE 1 : 1

MATERIAL:		WARNING - THIS DOCUMENT CONTAINS TECHNICAL DATA WHOSE EXPORT IS RESTRICTED BY THE ARMS EXPORT CONTROL ACT (TITLE 22, U.S.C., SEC 2751, ET. SEQ.) OR THE EXPORT ADMINISTRATION ACT OF 1979, AS AMENDED, TITLE 50, U.S.C., APP 2401 ET SEQ. VIOLATIONS OF THESE EXPORT LAWS ARE SUBJECT TO SEVERE CRIMINAL PENALTIES. DISSEMINATE IN ACCORDANCE WITH PROVISIONS OF DOD DIRECTIVE 5230.25. This drawing embodies a proprietary design of The Phoenix Company of Chicago, Inc., Naugatuck, CT 06770. All design, manufacturing, reproduction, use, sale, and other rights regarding the same are expressly reserved. The information in this drawing may be covered completely or in part by patents and/or patents pending.		The PHOENIX Company of Chicago, Inc. 22 GREAT HILL RD., NAUGATUCK, CT 06770 WWW.PHOENIXOFCHICAGO.COM PHONE: (800) 323-9562 FAX: (630) 206-1801																		
		UNLESS OTHERWISE SPECIFIED, PALCO WORKMANSHIP STANDARDS APPLY DIMENSIONS IN INCHES OR [METRIC] DO NOT SCALE PRINTS TOLERANCES ARE: FRACTIONS: ± 1/64 DECIMALS: .XX ± .01 .XXX ± .003 ANGLES: ± 1/2°		<table border="1"> <thead> <tr> <th>APPROVALS</th> <th>DATE</th> </tr> </thead> <tbody> <tr> <td>DRAWN BP</td> <td>11/21/2024</td> </tr> <tr> <td>CHECKED AH</td> <td>2/6/2025</td> </tr> <tr> <td>QA</td> <td></td> </tr> <tr> <td>MFG</td> <td></td> </tr> <tr> <td>ENGINEER BP</td> <td>2/6/2025</td> </tr> <tr> <td>APPROVED DW</td> <td>3/5/2025</td> </tr> </tbody> </table>		APPROVALS	DATE	DRAWN BP	11/21/2024	CHECKED AH	2/6/2025	QA		MFG		ENGINEER BP	2/6/2025	APPROVED DW	3/5/2025			
APPROVALS	DATE																					
DRAWN BP	11/21/2024																					
CHECKED AH	2/6/2025																					
QA																						
MFG																						
ENGINEER BP	2/6/2025																					
APPROVED DW	3/5/2025																					
		<table border="1"> <tr> <td>SIZE</td> <td>FSCM</td> <td>DWG NO</td> <td>REV</td> <td>PLATING OPT.</td> </tr> <tr> <td>C</td> <td>58167</td> <td>PX16QPDXXA0000</td> <td>A</td> <td></td> </tr> </table>		SIZE	FSCM	DWG NO	REV	PLATING OPT.	C	58167	PX16QPDXXA0000	A		<table border="1"> <tr> <td>SCALE</td> <td>1.5 : 1</td> <td>F.S.R. #</td> <td>SHEET</td> <td>1</td> <td>OF</td> <td>1</td> </tr> </table>		SCALE	1.5 : 1	F.S.R. #	SHEET	1	OF	1
SIZE	FSCM	DWG NO	REV	PLATING OPT.																		
C	58167	PX16QPDXXA0000	A																			
SCALE	1.5 : 1	F.S.R. #	SHEET	1	OF	1																
<table border="1"> <thead> <tr> <th>A</th> <th>REV</th> <th>RELEASED PER ECN 1494</th> <th>DATE</th> <th>DW</th> <th>APPROVAL</th> </tr> </thead> <tbody> <tr> <td></td> <td></td> <td></td> <td>3/5/2025</td> <td>DW</td> <td></td> </tr> </tbody> </table>		A	REV	RELEASED PER ECN 1494	DATE	DW	APPROVAL				3/5/2025	DW										
A	REV	RELEASED PER ECN 1494	DATE	DW	APPROVAL																	
			3/5/2025	DW																		