

4

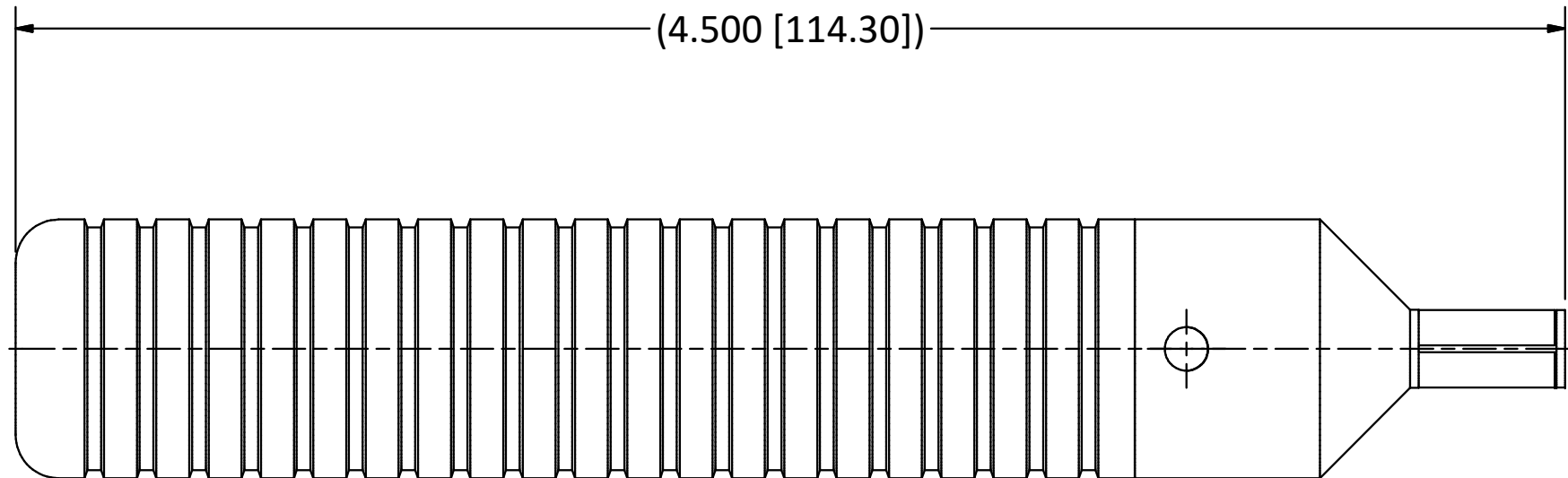
3

2

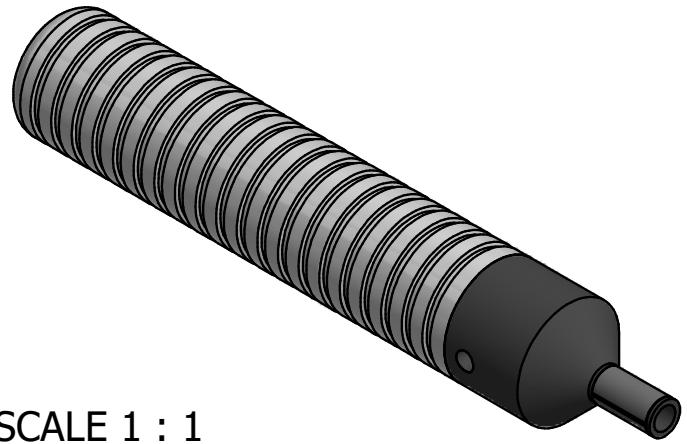
1

B

B



NOTES:
 1. INSERTION TOOL FOR STABILIZING RING P/N 15-03010.



SCALE 1 : 1

4

3

2

1

A

A

REV.	DESCRIPTION	DATE	BY
B	ECN 3432	5/2/96	HN
A	ECN 3135	9/26/95	HN

This drawing embodies a proprietary design of The Phoenix Company of Chicago, Inc., Naugatuck, CT 06770. All design, manufacturing, reproduction, use, sale, and other rights regarding the same are expressly reserved. The information in this drawing may be covered completely or in part by patents and/or patents pending.

WARNING - THIS DOCUMENT CONTAINS TECHNICAL DATA WHOSE EXPORT IS RESTRICTED BY THE ARMS EXPORT CONTROL ACT (TITLE 22, U.S.C., SEC 2751, ET. SEQ.) OR THE EXPORT ADMINISTRATION ACT OF 1979, AS AMENDED, TITLE 50, U.S.C., APP 2401 ET SEQ. VIOLATIONS OF THESE EXPORT LAWS ARE SUBJECT TO SEVERE CRIMINAL PENALTIES. DISSEMINATE IN ACCORDANCE WITH PROVISIONS OF DOD DIRECTIVE 5230.25.

Filename: ver2\Autodesk Inventor Data Base\Tooling\T0626-CU.idw		
UNLESS OTHERWISE SPECIFIED, PHOENIX WORKMANSHIP STANDARDS APPLY DIMENSIONS IN INCHES OR (METRIC) DO NOT SCALE PRINTS TOLERANCES ARE: FRACTIONS: ± 1/64 DECIMALS: .XX ± .01 .XXX ± .003 ANGLES: ± 1/2'	APPROVALS	DATE
	DRAWN JEM	9/26/1995
	CHECKED HN	9/26/1995
	QA	
	MFG	
ENGINEER JEM	9/25/1996	
APPROVED HN	9/25/1996	

The PHOENIX Company of Chicago, Inc.
 22 GREAT HILL RD., NAUGATUCK, CT 06770
 WWW.PHOENIXOFCHICAGO.COM
 PHONE: (800) 323-9562 FAX:(630) 206-1801

TITLE
**INSERTION TOOL FOR STABILIZING RING
 15-03010**

SIZE B	FSCM 58167	DWG NO T0626	REV B	PLATING OPT.
SCALE 2 : 1		F.S.R. #	SHEET 1 OF 1	